

QUICK REFERENCE GUIDE



VRF Mini-VRF Systems

MODEL	VWMB***H4 (Wall Mount)							V22A***S4 (2x2 Ceiling Cassette)				V33B***H4 (3x3 Ceiling Cassette)							
	007	009	012	015	018	024	030	007	009	012	015	009	012	015	018	024	030	036	048
Cooling (Btu/h)	7,500	9,500	12,000	15,000	19,000	24,000	30,000	7,000	9,000	12,000	15,000	8,500	12,000	15,000	18,000	24,000	30,000	36,000	48,000
Heating (Btu/h)	8,500	11,000	13,600	17,100	21,500	27,300	34,100	8,200	10,900	13,600	17,100	10,900	13,600	17,000	21,000	27,000	34,000	42,000	54,000
Max. CFM	310	310	350	400	450	620	700	234	240	292	292	460	560	680	800	800	950	1,100	1,200
MCA / MOCP	0.23/15	0.24/15	0.27/15	0.34/15	0.42/15	0.52/15	0.65/15	0.3 / 15	0.3 / 15	0.3 / 15	0.3 / 15	0.46/15	0.62/15	0.83/15	0.83/15	1.3/15	1.3/15	1.8/15	2.2/15
Condensate Lift	-	-	-	-	-	-	-	28	28	28	28	28	28	28	28	28	28	28	28
Dimensions WxHxD (in.)	39 x 12-3/8 x 8-3/4				47 x 13-1/2 x 10-3/8			22-5/8 x 10-3/8 x 22-5/8				33-1/8 x 9 x 33-1/8			33-1/8 x 11-7/8 x 33-1/8				
Sound (dBA)	33/32/30	34/33/30	35/33/32	40/37/35	43/39/37	44/41/38	48/44/40	36/33/23	36/33/23	42/36/29	42/36/29	38/37/36	42/38/37	47/43/40	47/44/42	51/47/44	51/47/44	54/51/47	56/54/50
Net Weight (lb.)	27	27	27	30	30	38	38	37	37	40	40	54	54	69	69	69	69	69	69

MODEL	VMDB***H4 (Medium-Static Ducted)									VHIA***S4 (High-Static ducted)								
	007	009	012	015	018	024	030	036	048	024	030	036	048	054	072	096		
Cooling (Btu/h)	7,000	8,500	12,000	15,000	18,000	24,000	30,000	36,000	48,000	24,000	30,000	38,000	48,000	54,000	72,000	96,000		
Heating (Btu/h)	8,000	10,900	13,600	17,000	21,000	27,000	34,000	42,000	54,000	27,300	34,100	42,700	54,600	56,400	80,000	105,000		
Max. CFM	260	330	450	560	670	800	1,100	1,200	1,370	942	1,248	1,248	1,656	1,656	2,814	2,814		
Static (in. w.g.)	0.32	0.32	0.6	0.6	0.6	0.6	0.60	0.60	0.60	0.10 - 0.80	0.15 - 0.80	0.20 - 0.80	0.20 - 0.80	0.20 - 0.80	0.20 - 1.13	0.20 - 1.13		
MCA / MOCP	1.25/15	1.25/15	3.13/15	3.13/15	3.13/15	3.13/15	5/15	5/15	5/15	2.4 / 15	2.5 / 15	2.5 / 15	3 / 15	3 / 15	7.5 / 15	7.5 / 15		
Condensate Lift	28	28	28	28	28	28	28	28	28	20	20	20	20	20	20	20		
Dimensions WxHxD (in.)	36-1/4 X 8-1/4 X 17-3/4		36-3/4 x 10-5/8 x 22-7/16			44-7/8 x 10-5/8 x 27-15/16			47-1/4 x 11-13/16 x 31-1/2			37-1/2 x 16-5/8 x 27-1/8			51-1/4 x 16-1/2 x 27-1/8		56-5/8 x 18-1/2 x 33-1/8	
Sound (dBA)	33.2/32.1/31.8	32.7/32.4/31.8	36.8/33.7/32.7		35.9/32.7/31.4	38.6/33.6/31.9	42/36.6/34.2	46.7/42.3/39.4	47.8/43.8/40.8	48/43.8/41.2	48/46/45	52/49/47	52/49/47	53/50/48	54/52/50	59/55/52	59/55/52	
Net Weight (lb.)	51	51	76		100	100	100	124	124	124	102	110	111	153	153	218	218	

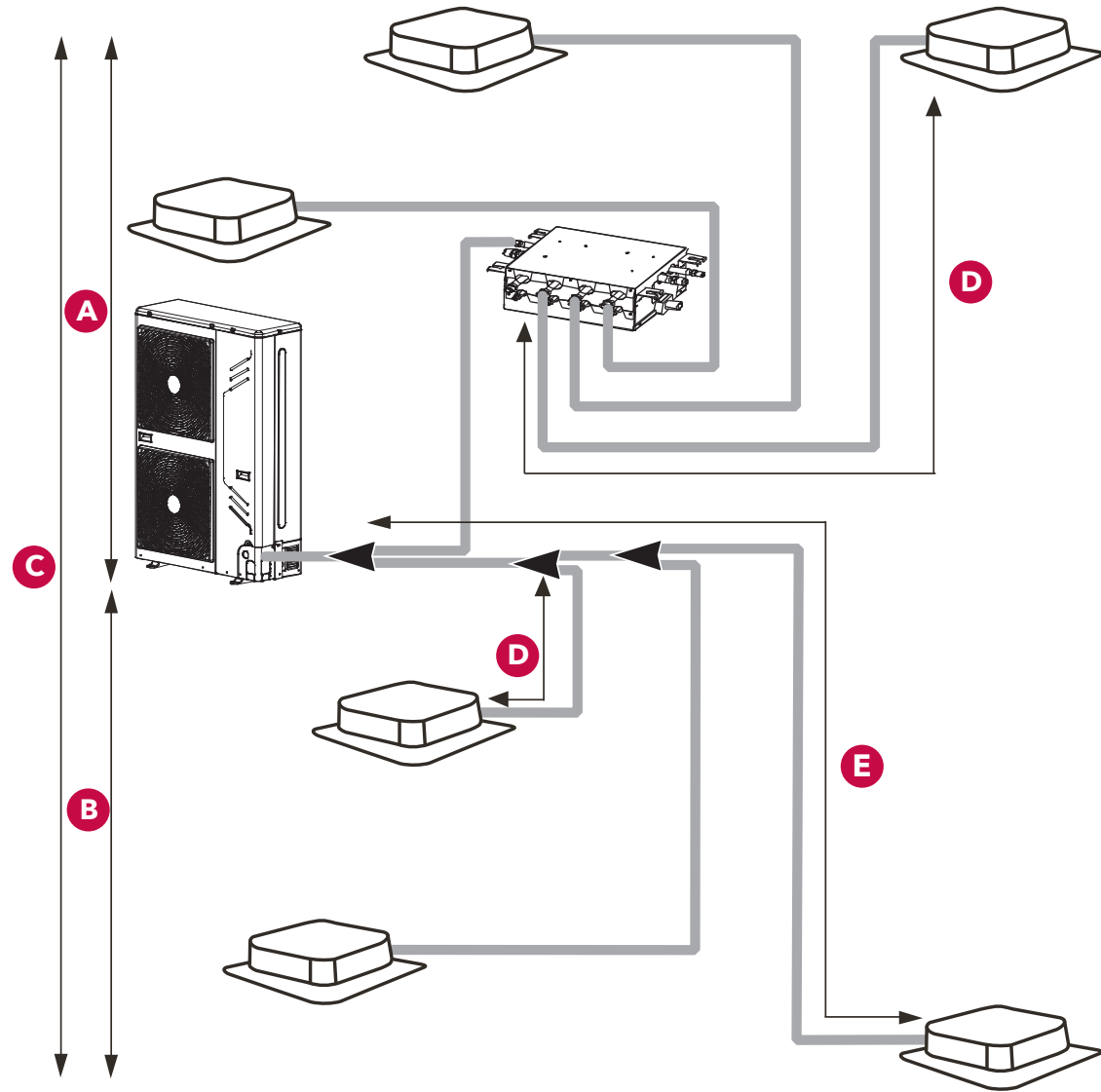
MODEL	VCFA***S4 (Ceiling / Floor)								VVCA***H4 (Vertical Air Handler)								
	012	015	018	024	030	036	048	054	018	024	030	036	048	054			
Cooling (MBH)	12,000	16,000	18,000	24,000	30,000	38,000	48,000	54,000	18,000	24,000	30,000	36,000	48,000	54,000			
Heating (MBH)	13,600	17,100	21,500	27,300	34,100	42,700	52,900	61,400	21,000	27,000	34,000	40,000	54,000	60,000			
Max. CFM	353	441	441	441	706	1,165	1,165	1,354	650	800	1,000	1,200	1,600	1,800			
Static (in. w.g.)	-	-	-	-	-	-	-	-	0.0 - 0.8	0.0 - 0.8	0.0 - 0.8	0.0 - 0.8	0.0 - 0.8	0.0 - 0.8			
MCA / MOCP	0.3 / 15	0.9 / 15	0.9 / 15	0.9 / 15	1.1 / 15	1.4 / 15	1.4 / 15	2.4 / 15	3.8 / 15	3.8 / 15	3.8 / 15	5.3 / 15	5.3 / 15	5.3 / 15			
Condensate Lift	-	-	-	-	-	-	-	-	-	-	-	-	-	-			
Dimensions WxHxD (in.)	39 x 8-1/8 x 26				50-3/8 x 8-1/8 x 26		65-3/4 x 9-5/8 x 26-3/4		65-3/4 x 11-1/4 x 26-3/4			19-3/4 x 46-1/2 x 21-5/8			22 x 54-1/2 x 24		
Sound (dBA)	40/38/36	43/41/38	43/41/38	43/41/38	45/43/40	47/45/42	47/45/42	52/50/48	48/45/43	49/47/43	52/49/47	53/50/47	57/54/52	58/57/55			
Net Weight (lb.)	59	62	62	62	76	110	110	127	123	123	123	163	163	163			



QUICK REFERENCE GUIDE




Piping Limitations






	3- and 4-Ton Systems	5-Ton System
Total Piping Length	328	328
Maximum Piping Length	148	196
IDU to Nearest Branch Pipe – D	49.2	49.2
First Branch to IDU – E	65.6	65.6
Height Difference		
IDU to ODU (ODU Below) – A	65.6	65.6
IDU to ODU (ODU Above) – B	98.4	98.4
IDU to IDU – C	26.2	26.2

Mini-VRF Outdoor Units

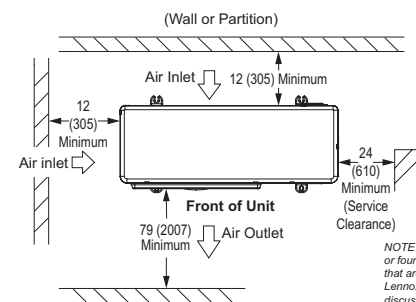
MODEL			
Tonnage	3	4	5
Model Number	VPA036H4M	VPA048H4M	VPA060H4M
Cooling (Btu/h)	36,000	47,500	60,000
Heating (Btu/h)	40,000	52,500	66,000
Dimensions WxHxD (in.)	35-3/8 x 52-1/4 x 13-1/4		
VAC/ø	208-230/1	208-230/2	208-230/3
MCA / MOCP	33/50	38/60	40/60
Max # IDU	5	7	9

Lennox VRF Local Controllers

MODEL			
Description	Programmable Touchscreen Screen Controller	Non-programmable Controller	Wireless Controller
Dimensions (in)	4-7/8 x 7-1/8 x 1-1/4	3-3/8 x 3-3/8 x 3/4	6 x 2-1/2 x 3/4
Controller Features			
LCD Display	6.2" Full-Color Touchscreen	Backlit LCD Display	Backlit LCD Display
Configuration Options	•	•	
Servicing	•	•	
Operation Mode Toggle	Auto - Cool - Dry - Heat - Fan	Auto - Cool - Dry - Heat - Fan	Auto - Cool - Dry - Heat - Fan
Scheduling	Everyday / 5+1+1 / 5+2 / 7		
Grouping	16 Indoor Units	16 Indoor Units	1:1
Fan Speed Toggle	Low - Medium - High	Low - Medium - High	Low - Medium - High
Temperature Toggle	Fahrenheit - Celsius	Fahrenheit - Celsius	Fahrenheit - Celsius

Installation Clearances - Inches (MM)

Single Unit Installation



NOTE - 24 in. (610 mm) clearance required on top of unit.

NOTE - If unit is surrounded on three or four sides by walls or partitions that are taller than 10 ft. (3 m), call Lennox VRF Applications group to discuss additional requirements.

Branch Box

MODEL	V8MIDB01
# of Ports	4
# IDU per Port	1
Btu/h per Port	24,000
Dimensions WxHxD (in.)	10-3/8 x 6 x 9-1/4



Visit us at www.lennox.com
For the latest technical information, www.lennoxcommercial.com
Contact us at 1-800-4-LENNOX

©2019 Lennox Industries, Inc.

(14Z03) 6/19 PC92330