

2- to 8.5-Ton Packaged Rooftop Performance Data (Gas or Electric Heat) - Standard/High Efficiency

Size (Tons)	2	2.5	3	3	4	4	5	5	6	6	7.5	7.5	7.5	7.5	7.5	8.5
Efficiency	Standard	Standard	Standard	Standard	Standard	Standard	Standard	Standard	High	Standard	Standard	Standard	Standard	Standard	High	High
Model Number	KCB/KGB 024S4D	KCB/KGB 030S4D	KCB/KGB 036S4D/B	KCA/KGA 036S4D/B	KCB/KGB 048S4D/B	KCA/KGA 048S4D/B	KCB/KGB 060S4D/B	KCA/KGA 060S4D/B	KCB/KGB072H4B KCB/KGB074H4T	KCB/ KGB074S4T	KGB/ KCB090S4B	KGB/ KCB090S4T	KGB/KCB 092S4B	KCA/KGA 092S4M	KCA/KGA 092H4B/M	KCA/KGA 102H4B/M
Blower Type	Direct	Direct	Direct/Belt	Direct/Belt	Direct/Belt	Direct/Belt	Direct/Belt	Direct/Belt	Belt (CAV)/ Two-speed belt (MSAV)	Two-speed belt (MSAV)	Single - Speed Belt Drive	Two - Speed Belt Drive	CAV	MSAV	CAV/MSAV	CAV/MSAV
Net Cooling Capacity (Btuh)	24,200	30,200	37,200	36,000	47,500	48,000	59,500	59,000	72,000 (CAV), 69,000 (MSAV)	68,000	88,000	88,000	86,000	86,000	90,000	100,000
Cooling Stages	1	1	1	1	1	1	1	1	1 (CAV)/2 (MSAV)	2	2	2	2	2	2	2
Nominal Supply Air (cfm)	840	1,010	1,140	1,200	1,600	1,600	1,760	1,800	1,920 (CAV) 2,100 (MSAV)	2,100	2,250	2,250	2,400	3,000	3,000 (CAV) 2,800 (MSAV)	3,400
EER	12.7	11.5	12.5	10.7	11.5	11.0	11.8	11.2	12.0	11.2	11.0 (KGB), 11.2 (KCB)	11.0 (KGB), 11.2 (KCB)	11.2 (KC) 11.0 (KG)	11.2 (KC) 11.0 (KG)	12.7 (KC) 12.5 (KG)	12.4 (KC) 12.2 (KG)
SEER (024-060) IEER (072-90)	14.0	14.0	14.0	13.0	14.0	13.0	14.0	13.0	13.5 (CAV) 16.0 (MSAV)	15.0	12.7 (KGB), 12.9 (KCB)	14.0	12.9 (KC) 12.7 (KG)	13.2 (KC) 13.0 (KG)	13.0 (CAV) 14.0 (MSAV)	12.9 (CAV) 14.0 (MSAV)
Gas Heat Sizes (kBtuh) (Up to stages)	65 (1)	65 (1)	65 (1), 108 (2)	65 (1), 108 (2)	65 (1), 108 (2), 150 (2)	65 (1), 108 (2), 150 (2)	65 (1), 108 (2), 150 (2)	65 (1), 108 (2), 150 (2)	65 (1), 108 (2), 150 (2)	65 (1), 108 (2), 150 (2)	108(2), 150(2)	108(2), 150(2)	130(2), 180(2), 240(2)	130 (2), 180 (2), 240 (2)	130 (2), 180 (2), 240 (2)	130 (2), 180 (2), 240 (2)
Electric Heat Sizes (kW)	5, 7.5, 10	5, 7.5, 10	7.5, 15	7.5, 15	7.5, 15	7.5, 15	7.5, 15, 22.5	7.5, 15, 22.5	7.5, 15, 22.5, 30	7.5, 15, 22.5, 30	7.5, 15, 22.5, 30	7.5, 15, 22.5, 30	7.5, 15, 22.5, 30, 45	7.5, 15, 22.5, 30, 45	7.5, 15, 22.5, 30, 45	7.5, 15, 22.5, 30, 45
Blower Motor Size (HP)	0.25	0.25	0.5 (Direct) .75, 1, 1.5, 2 (Belt)	0.5 (Direct) 1, 2 (Belt)	0.5 (Direct) .75, 1, 1.5, 2 (Belt)	0.5 (Direct) 1, 2 (Belt)	0.75 (Direct) .75, 1, 1.5, 2 (Belt)	0.75 (Direct) 1, 2 (Belt)	1, 2	1, 2	1, 2, 3	2	2, 3, 5	2, 3, 5	2, 3, 5	2, 3, 5
Weight - Shipping (lbs.) G/E	571	574	596	594	596	631	690	661	690	690	843	843	1,003	1,003	1,185	1,192
Weight - Shipping (lbs.) E/E	543	546	568	558	568	595	661	625	661	661	805	805	955	955	1,137	1,144
Cabinet Size - H x W x L (in.)	39 x 47 x 86	39 x 47 x 86	39 x 47 x 86	39 x 47 x 86	39 x 47 x 86	39 x 47 x 86	47 x 47 x 86	39 x 47 x 86	47 x 47 x 86	47 x 47 x 86	47 x 47 x 99	47 x 47 x 99	47 x 61 x 102	47 x 61 x 102	47 x 61 x 102	47 x 61 x 102
Filter (Quantity/Size)	(4) 16 x 20 x 2	(4) 16 x 20 x 2	(4) 16 x 20 x 2	(4) 16 x 20 x 2	(4) 16 x 20 x 2	(4) 16 x 20 x 2	(4) 20 x 20 x 2	(4) 16 x 20 x 2	(4) 20 x 20 x 2	(4) 20 x 20 x 2	(4) 20 x 20 x 2	(4) 20 x 20 x 2	(4) 20 x 25 x 2	(4) 20 x 25 x 2	(4) 20 x 25 x 2	(4) 20 x 25 x 2
Sound (dBA)	74	74	74	75	74	75	79	82	79	79	79	79	88	88	88	88

8.5- to 20-Ton Packaged Rooftop Performance Data (Gas or Electric Heat) - Standard/High Efficiency

Size (Tons)	8.5	8.5	10	10	10	12.5	13	15	15	15	17.5	17.5	17.5	17.5	20
Efficiency	Standard	Standard	Standard	Standard	High	Standard	High	Standard	High	Standard	High	Standard	Standard	Standard	Standard
Model Number	KCA/KGA 102S4M	KGB/KCB 102S4B	KGB/KCB 120S4B	KCA/KGA 120S4M	KCA/KGA 120H4B/M	KGB/KCB 150S4B/M	KCA/KGA 156H4B/M	KGB/KCB 180S4B	KCA/KGA 180H4B/M	KCB/KGB180S4B KCA/KGA180S4M	KCA/KGA 210H4B/M	KCB/KGB210S4B KCA/KGA210S4M	KGB/KCB 210S4B	KGB/KCB 240S4B	KGB/KCB 240S4B
Blower Type	MSAV	CAV	CAV	MSAV	CAV/MSAV	CAV/MSAV	CAV/MSAV	CAV	CAV/MSAV	CAV/MSAV	CAV/MSAV	CAV/MSAV	CAV/MSAV	CAV	CAV
Net Cooling Capacity (Btuh)	97,000	97,000	115,000	115,000	118,000	141,000	152,000	176,000	172,000	176,000	194,000	200,000 (CAV) 198,000 (MSAV)	200,000	230,000	230,000
Cooling Stages	2	2	2	2	2	2	3	3	3	3 (CAV) 2 (MSAV)	3	3	3	3	3
Nominal Supply Air (cfm)	3,400	2,800	3,000	3,800	3,600 (CAV) 3,300 (MSAV)	3,950	5,000	6,000	5,250	6,000 (CAV) 5,750 (MSAV)	6,125	5,700 (CAV) 6,125 (MSAV)	5,700	6,000	6,000
EER	11.2 (KC) 11.0 (KG)	11.2 (KC) 11.0 (KG)	11.2 (KC) 11.0 (KG)	11.2 (KC) 11.0 (KG)	12.2 (KC) 12.0 (KG)	11.0 (KC) 10.8 (KG)	12.0	12.2	12.0	11.0 (KC) 10.8 (KG)	12.0	11.0 (KC) 10.8 (KG)	12.2	12.2	12.2
IEER	13.5 (KC) 13.0 (KG)	12.9 (KC) 12.7 (KG)	12.9 (KC) 12.7 (KG)	13.2 (KC) 13.0 (KG)	13.2 (CAV, KC) 14.0 (MSAV, KC) 13.0 (CAV, KG) 13.8 (MSAV, KG)	12.4 (CAV, KC) 12.2 (CAV, KG) 13.5 (MSAV, KC & KG)	13.6 (CAV) 14.1 (MSAV)	10.8	13.5 (CAV) 13.7 (MSAV)	12.4 (CAV, KC) 12.8 (MSAV, KC) 12.2 (CAV, KG) 12.6 (MSAV, KG)	13.0 (CAV) 14.0 (MSAV)	12.4 (CAV, KC) 13.3 (MSAV, KC) 12.2 (CAV, KG) 13.1 (MSAV, KG)	10.8	10.8	10.8
Gas Heat Sizes (kBtuh) (Up to stages)	130 (2), 180 (2), 240 (2)	130(2), 180(2), 240(2)	130(2), 180(2), 240(2)	130 (2), 180(2), 240 (2)	130 (2), 180(2), 240 (2)	130(2), 180(2), 240(2)	260 (2), 360 (2)	260(2), 360(2), 480(2)	260 (2), 360 (2), 480 (2)	260 (2), 360 (2), 480 (2)	260 (2), 360 (2), 480 (2)	260 (2), 360 (2), 480 (2)	260 (2), 360 (2), 480 (2)	260(2), 360(2), 480(2)	260(2), 360(2), 480(2)
Electric Heat Sizes (kW)	7.5, 15, 22.5, 30, 45	7.5, 15, 22.5, 30, 45	15, 22.5, 30, 45, 60	15, 22.5, 30, 45, 60	15, 22.5, 30, 45, 60	15, 22.5, 30, 45, 60	15, 30, 45, 60	15, 30, 45, 60	15, 30, 45, 60	15, 30, 45, 60	15, 30, 45, 60, 90	15, 30, 45, 60, 90	15, 30, 45, 60, 90	15, 30, 45, 60, 90	15, 30, 45, 60, 90
Blower Motor Size (HP)	2, 3, 5	2, 3, 5	2, 3, 5	2, 3, 5	2, 3, 5	2, 3, 5	2, 3, 5	3, 5, 7.5	3, 5, 7.5	3, 5, 7.5	3, 5, 7.5	3, 5, 7.5	3, 5, 7.5	3, 5, 7.5	5, 7.5, 10
Weight - Shipping (lbs.) G/E	1,023	1,023	1,071	1,071	1,227	1,200	2,135	2,055	2,315	1,990	2,440	2,135	2,165	2,380	2,380
Weight - Shipping (lbs.) E/E	975	975	1,023	1,023	1,179	1,152	1,985	1,905	2,165	1,840	2,290	1,985	2,015	2,230	2,230
Cabinet Size - H x W x L (in.)	47 x 61 x 102	47 x 61 x 102	47 x 61 x 102	47 x 61 x 102	47 x 61 x 102	47 x 61 x 102	55 x 92 x 108	55 x 92 x 108	55 x 92 x 133	55 x 92 x 108	55 x 92 x 133	55 x 92 x 108	55 x 92 x 108	55 x 92 x 108	55 x 92 x 133
Filter (Quantity/Size)	(4) 20 x 25 x 2	(4) 20 x 25 x 2	(4) 20 x 25 x 2	(4) 20 x 25 x 2	(4) 20 x 25 x 2	(4) 20 x 25 x 2	(6) 24 x 24 x 2	(6) 24 x 24 x 2	(6) 24 x 24 x 2	(6) 24 x 24 x 2	(6) 24 x 24 x 2	(6) 24 x 24 x 2	(6) 24 x 24 x 2	(6) 24 x 24 x 2	(6) 24 x 24 x 2
Sound (dBA)	88	88	88	88	88	90	86	86	93	86	94	86	86	86	93

20- to 25-Ton Packaged Rooftop Performance Data (Gas or Electric Heat) - Standard/High Efficiency				
Size (Tons)	20	20	25	25
Efficiency	High	Standard	Standard	Standard
Model Number	KCA/KGA 240H4B/M	KCB/KGB240S4B KCA/KGA240S4M	KCB/KGB 300S4B/M	KGB/KCB 300S4B/M
Blower Type	CAV/MSAV	CAV/MSAV	CAV/MSAV	CAV/MSAV
Net Cooling Capacity (Btuh)	230,000	230,000	270,000	270,000
Cooling Stages	4	3	4	4
Nominal Supply Air (cfm)	6,400	6,000 (CAV) 7,700 (MSAV)	8400	8,400
EER	12.0	11.0 (KC) 10.8 (KG)	10.5	10.5
IEER	13.2 (CAV) 14.5 (MSAV)	12.4 (CAV, KC) 13.2 (MSAV, KC) 12.2 (CAV, KG) 13.0 (MSAV, KG)	11.6 (CAV, KC) 13.8 (MSAV, KC) 11.4 (CAV, KG) 13.8 (MSAV, KG)	11.6 13.8
Gas Heat Sizes (kBtuh) (Up to stages)	260 (2), 360 (2), 480 (2)	260 (2), 360 (2), 480 (2)	260 (2), 360 (2), 480 (2)	260(2), 360(2), 480(2)
Electric Heat Sizes (kW)	15, 30, 45, 60, 90	15, 30, 45, 60, 90	15, 30, 45, 60, 90	15, 30, 45, 60, 90
Blower Motor Size (HP)	5, 7.5, 10	5, 7.5, 10	5, 7.5, 10	5, 7.5, 10
Weight - Shipping (lbs.) G/E	2,525	2,380	2,650	2,650
Weight - Shipping (lbs.) E/E	2,375	2,230	2,500	2,500
Cabinet Size - H x W x L (in.)	55 x 92 x 133	55 x 92 x 133	55 x 92 x 133	55 x 92 x 133
Filter (Quantity/Size)	(6) 24 x 24 x 2	(6) 24 x 24 x 2	(6) 24 x 24 x 2	(6) 24 x 24 x 2
Sound (dBA)	94	93	94	94

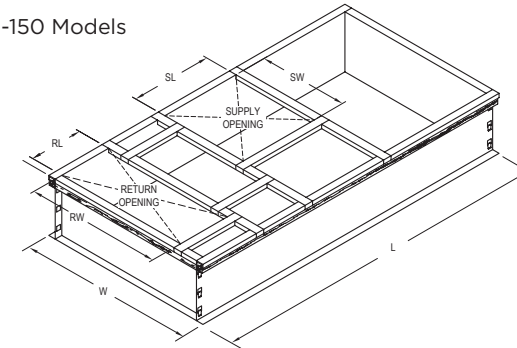
UNIT MCA & MOCP Electrical (Standard Indoor Fan Motor)														
Model number	Voltage	HP	MCA	MOCP	Model number	Voltage	HP	MCA	MOCP	Model number	Voltage	HP	MCA	MOCP
KC/KGB024S	208-230/1	0.25	16	25	KC/KGA092H	208-230/3	3	42	50	KC/KGA180H	208-230/3	5	71	80
KC/KGB030S	208-230/1	0.25	20	30		460/3	3	20	25		460/3	5	39	45
KC/KGB036S	208-230/1	0.5	25	40		575/3	3	17	20		575/3	5	27	30
	208-230/1	0.75	29	40	KCB/KGB092S4	208-230/3	3	45	50	KC/KGA210S KC/KGB210S	208-230/3	5	88	100
	460/3	1	9	15		460/3	3	22	25		460/3	5	39	45
	575/3	1	7	15		575/3	3	16	20		575/3	5	31	35
	208-230/3	.05	17	25	KC/KGA102S KC/KGB102S	208-230/3	3	43	50	KCB/KGB210S4	208-230/3	5	88	100
	460/3	.05	9	15		460/3	3	23	25		460/3	5	39	45
575/3	.05	8	15	575/3		3	19	20	575/3		5	31	35	
KC/KGB048S	208-230/1	0.75	35	50	KCB/KGB102S4	208-230/3	3	49	60	KCA/KGA210H	208-230/3	5	87	100
	208-230/3	1	21	30		460/3	3	22	25		460/3	5	42	45
	460/3	1	11	15		575/3	3	20	25		575/3	5	32	35
KC/KGB060S	208-230/1	0.75	38	60	KC/KGA102H	208-230/3	3	41	50	KC/KGB240S	208-230/3	7.5	110	125
	208-230/3	1	24	35		460/3	3	20	25		460/3	7.5	53	60
	460/3	1	14	20		575/3	3	17	20		575/3	7.5	40	45
	575/3	1	9	15	KC/KGA120S KC/KGB120S	208-230/3	3	46	50	KCB/KGB240S4B	208-230/3	7.5	110	125
	208-230/1	0.75	35	50		460/3	3	26	30		460/3	7.5	53	60
	208-230/3	0.75	25	35		575/3	3	18	20		575/3	7.5	40	45
460/3	0.75	14	20	KCB/KGB120S4	208-230/3	3	46	50	KC/KGA240S	208-230/3	7.5	108	125	
575/3	0.75	10	15		460/3	3	26	30		460/3	7.5	51	60	
208-230/3	1	18	25		575/3	3	18	20		575/3	7.5	39	45	
KC/KGA036S	208-230/3	1	9	15	KC/KGA120H	208-230/3	3	46	50	KC/KGA240H	208-230/3	7.5	99	110
KC/KGA048S	460/3	1	9	15		460/3	3	26	30		460/3	7.5	54	60
	575/3	1	7	15		575/3	3	18	20		575/3	7.5	38	45
KC/KGA060S	208-230/3	1	24	35	KC/KGB150S	208-230/3	3	65	80	KC/KGA300S	208-230/3	7.5	129	150
	460/3	1	14	20		460/3	3	30	35		460/3	7.5	60	70
	575/3	1	9	15		575/3	3	23	30		575/3	7.5	46	50
KC/KGB072H	208-230/3	1	30	45	KCB/KGB150S4	208-230/3	3	65	80	KCB/KGB300S4	208-230/3	7.5	129	150
	460/3	1	13	20		460/3	3	30	35		460/3	7.5	60	70
	575/3	1	10	15		575/3	3	23	30		575/3	7.5	46	50
KC/KGB074H	208-230/3	1	29	45	KC/KGA156H	208-230/3	3	57	70	KC/KGB180S	208-230/3	5	63	70
	460/3	1	15	20		460/3	3	31	35		460/3	5	33	35
	575/3	1	11	15		575/3	3	25	30		575/3	5	26	30
KC/KGB074S	208-230/3	1	29	45	KC/KGB180S4B	208-230/3	5	63	75	KCB/KGB180S4B	208-230/3	5	63	75
	460/3	1	15	20		460/3	5	33	35		460/3	5	33	35
	575/3	1	11	15		575/3	5	26	30		575/3	5	26	30
KC/KGB090S	208-230/3	2	45	70	KC/KGA156H	208-230/3	3	57	70	KCB/KGB180S4B	208-230/3	5	63	75
	460/3	2	20	30		460/3	3	31	35		460/3	5	33	35
	575/3	2	16	20		575/3	3	25	30		575/3	5	26	30
KC/KGA092S	208-230/3	3	45	50	KC/KGB180S	208-230/3	5	63	75	KCB/KGB180S4B	208-230/3	5	63	75
	460/3	3	22	25		460/3	5	33	35		460/3	5	33	35
	575/3	3	16	20		575/3	5	26	30		575/3	5	26	30

UNIT MCA & MOCP Electrical (Standard Indoor Fan Motor)

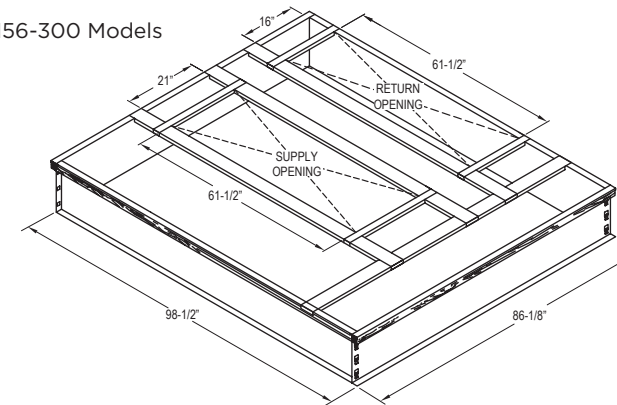
Option	Factory	Field	Option	Factory	Field
COOLING			INDOOR AIR QUALITY		
CRANKCASE HEATER (KCA/KGA036-090)		•	MERV 8 FILTERS		•
DRAIN PAN OVERFLOW SWITCH		•	MERV 13 FILTERS		•
Low-Ambient Kit		•	REPLACEMENT MEDIA FILTER WITH METAL MESH**		•
PVC or Copper Condensate Drain Trap		•	IAQ (CO 2) Sensors		•
BLOWER			UVA Germicidal Light Kit	•	•
Blower - Supply Air Motors	•		ELECTRICAL		
Blower - Supply Air Drive Kits	•		Electrical Voltage	•	
VFD Manual Bypass Kit (MSAV*)		•	HACR Circuit Breakers	•	•
HEATING			Disconnect Switch	•	•
Bottom Gas Piping Kit		•	GFI Service Outlets	•	•
Combustion Air Intake Extensions		•	Weatherproof Cover for GFI		•
Gas Heat Input	•		Electric Heat	•	•
Low-Temperature Vestibule Heater		•	ECONOMIZER		
LPG/Propane Conversion Kits		•	Economizer - Downflow or Horizontal with Barometric Relief	•	•
Stainless Steel Heat Exchanger	•		Economizer - Horizontal Conversion Kit		•
Vertical Vent Extension		•	Economizer Controls - Single Enthalpy	•	•
CABINET			Economizer Controls - Differential Enthalpy	•	•
Combination Coil/Hail Guards		•	Horizontal Barometric Relief Dampers - Hood Furnished		•
Hinged Access Panels	•		OUTDOOR AIR		
Corrosion Protection (indoor coil/outdoor coil)	•		Manual Outdoor Air Dampers	•	•
Horizontal Discharge Kit		•	Motorized Outdoor Air Dampers	•	•
Return Air Adaptor Plate*	•	•	Power Exhaust Fan Standard Static	•	•
CONTROLS			ROOF CURBS/CEILING DIFFUSERS		
CS3000 and CS7500 Commercial Programmable Thermostats	•	•	Roof Curbs (Standard, Clip, Hinged)		•
BACnet Module	•	•	Ceiling Diffusers		•
BACnet Thermostat with Display		•			
BACnet Thermostat without Display		•			
Novar® 2051 factory	•	•			
Plenum Cable		•			
L Connection® Building Automation System	•				
Smoke Detector Supply and/or Return		•			

*Applies to 7.5- to 12.5-ton models only.
**Applies to 7.5- to 25-ton models only.

For 024-150 Models



For 156-300 Models



Model No.	Length	WIDTH	Supply Air		Return Air	
	L	W	SL	SW	RL	RW
024 to 090	79-3/4	41-1/2	19-1/8	21-1/8	12-5/8	32
092 to 150	95-3/8	54-1/4	29-3/4	21-3/4	26-3/4	29-3/4

Note - Due to Lennox' ongoing commitment to quality, all specifications, ratings and dimensions are subject to change without notice.



Visit us at www.lennox.com
For the latest technical information,
www.lennoxcommercial.com
Contact us at 1-800-4-LENNOX

©2017 Lennox Industries, Inc.
13U61 11/17 PC88946