

# QUICK REFERENCE GUIDE



## 2- to 25-ton packaged gas/electric and electric/electric rooftop units

Performance Marked by Flexibility™

2- to 12.5-Ton Packaged Rooftop Performance Data (Gas or Electric Heat) - Standard/High Efficiency															
Size (Tons) / Cabinet	2 Ton / A	2.5 Ton / A	3 Ton / A	4 Ton / A	5 Ton / A	6 Ton / A	6 Ton / A	7.5 Ton / A	7.5 Ton / B	7.5 Ton / B	8.5 Ton / B	8.5 Ton / B	10 Ton / B	10 Ton / B	12.5 Ton / B
Efficiency	Standard	Standard	Standard	Standard	Standard	High	Standard	Standard	Standard	High	High	Standard	High	Standard	Standard
Model Number	KCB/KGB 024S4D/E	KCB/KGB 030S4D/E	KCB/KGB 036S4D/E/B	KCB/KGB 048S4D/E/B	KCB/KGB 060S4D/E/B	KCB/KGB072H4B KCB/KGB074H4T	KCB/KGB074S4T	KGB/KCB090S4B KGB/KCB090S4T	KGB092S4B KCB/KGB092S4M	KCA/KGA092H4M KCA/KGA092H4B	KCA/KGA102H4M KCA/KGA102H4B	KCB/KGB102S4B KCB/KGB102S4M	KCA/KGA120H4M	KCB/KGB120S4B KCB/KGB120S4M	KCB/KGB150S4B KCB/KGB150S4M
Blower Type	Direct/ MSAV Direct*	Direct/ MSAV Direct*	Direct/ MSAV Direct*/ Belt	Direct/ MSAV Direct*/Belt	Direct/ MSAV Direct*/ Belt	Belt (CAV)/ Two-speed belt (MSAV)	Two-speed belt (MSAV)	Single and Two-Speed Belt Drive	CAV MSAV	CAV/MSAV	CAV/MSAV	CAV/MSAV	MSAV	CAV/MSAV	CAV/MSAV
Net Cooling Capacity (Btuh)	24,000	30,000	36,000	47,500	58,500	72,000 (CAV), 69,000 (MSAV)	68,000	88,000	86,000	90,000	100,000	97,000	111,000	115,000	138,000
Cooling Stages	1	1	1	1	1	1 (CAV)/2 (MSAV)	2	2	2	2	2	2	2	2	2
Nominal Supply Air (cfm)	810	1,000	1,150	1,560	1,760	1,920 (CAV) 2,100 (MSAV)	2,100	2,250	2,400 3,000	3,000 (CAV) 2,800 (MSAV)	3,400	2,800	3,300	3,000	3,950
EER	12.5	11.5	12.3	11.5	11.0	12.0	11.2	11.0 (KGB), 11.2 (KCB)	11.2 (KC) 11.0 (KG)	12.7 (KC) 12.5 (KG)	12.4 (KC) 12.2 (KG)	11.2 (KC) 11.0 (KG)	11.1 (KC) 10.9 (KG)	11.2 (KC) 11.0 (KG)	11.0 (KC) 10.8 (KG)
SEER (024-060) IEER (072-150)	14.0	14.0	14.0	14.0	14.0	13.5 (CAV) 16.0 (MSAV)	15.0	12.7 (KGB), 12.9 (KCB) 14.0	12.7 (KG) 13.6 (KC) 13.4 (KG)	13.0 (CAV) 14.0 (MSAV)	12.9 (CAV) 14.0 (MSAV)	12.9 (KC) 12.7 (KG) 13.8 (KC) 13.6 (KG)	14.0 (KC) 13.8 (KG)	12.9 (KC) 12.7 (KG) 13.6 (KC) 13.4 (KG)	12.4 (CAV, KC) 12.2 (CAV, KG) 13.5 (MSAV, KC & KG)
Gas Heat Sizes (kBtuh) (Up to stages)	65 (1)	65 (1)	65 (1), 108 (2)	65 (1), 108 (2)	70 (2), 108 (2), 150 (2)	65 (1), 108 (2), 150(2)	65 (1), 108 (2), 150(2)	108(2), 150(2)	130(2), 180(2), 240(2)	130 (2), 180 (2), 240 (2)	130 (2), 180 (2), 240 (2)	130 (2), 180 (2), 240 (2)	130(2), 180(2), 240(2)	130(2), 180(2), 240(2)	130(2), 180(2), 240(2)
Electric Heat Sizes (kW)	5, 7.5, 10	5, 7.5, 10	7.5, 15	65 (1), 108 (2)	7.5, 15, 22.5	7.5, 15, 22.5, 30	7.5, 15, 22.5, 30	7.5, 15, 22.5, 30	7.5, 15, 22.5, 30, 45	7.5, 15, 22.5, 30, 45	7.5, 15, 22.5, 30, 45	7.5, 15, 22.5, 30, 45	15, 22.5, 30, 45, 60	15, 22.5, 30, 45, 60	15, 22.5, 30, 45, 60
Blower Motor Size (HP)	0.25 (Direct) 0.33 (MSAV Direct)*	0.25 (Direct) 0.33 (MSAV Direct)*	0.5 (Direct) 0.75, 1, 1.5, 2 (Belt) 0.5 (MSAV Direct)*	0.5 (Direct) 0.75, 1, 1.5, 2 (Belt) 0.75 (MSAV Direct)*	0.75 (Direct) 0.75, 1, 1.5, 2 (Belt) 1.0 (MSAV Direct)*	1, 2	1, 2	1, 2, 3 2	2, 3, 5	2, 3, 5	2, 3, 5	2, 3, 5	2, 3, 5	2, 3, 5	2, 3, 5
Weight - Shipping (lbs.) G/E	571	574	596	596	690	690	690	843	1,003	1,185	1,192	1,023	1,227	1,071	1,217
Weight - Shipping (lbs.) E/E	543	546	568	568	661	661	661	805	955	1,137	1,144	975	1,179	1,023	1,169
Cabinet Size - H x W x L (in.)	39 x 47 x 86	39 x 47 x 86	39 x 47 x 86	39 x 47 x 86	47 x 47 x 86	47 x 47 x 86	47 x 47 x 86	47 x 47 x 99	47 x 61 x 102	47 x 61 x 102	47 x 61 x 102	47 x 61 x 102	47 x 61 x 102	47 x 61 x 102	47 x 61 x 102
Filter (Quantity/Size)	(4) 16 x 20 x 2	(4) 16 x 20 x 2	(4) 16 x 20 x 2	(4) 16 x 20 x 2	(4) 20 x 20 x 2	(4) 20 x 20 x 2	(4) 20 x 20 x 2	(4) 20 x 20 x 2	(4) 20 x 25 x 2	(4) 20 x 25 x 2	(4) 20 x 25 x 2	(4) 20 x 25 x 2	(4) 20 x 25 x 2	(4) 20 x 25 x 2	(4) 20 x 25 x 2
Sound (dBA)	74	74	74	74	83	79	79	79	88	88	88	88	88	88	90

\*MSAV Direct Drive on Single Phase KGB only

13- to 25-Ton Packaged Rooftop Performance Data (Gas or Electric Heat) - Standard/High Efficiency								
Size (Tons) / Cabinet	13 Ton / C	15 Ton / C	15 Ton / C	17.5 Ton / C	17.5 Ton / C	20 Ton / C	20 Ton / C	25 Ton / C
Efficiency	High	High	Standard	High	Standard	High	Standard	Standard
Model Number	KCA/KGA 156H4B/M	KCA/KGA 180H4B/M	KCB/KGB180S4B KCB/KGB180S4M	KCA/KGA 210H4B/M	KCB/KGB210S4B KCB/KGB210S4M	KCA/KGA 240H4B/M	KCB/KGB240S4B KCB/KGB240S4M	KCB/KGB 300S4B/M
Blower Type	CAV/MSAV	CAV/MSAV	CAV/MSAV	CAV/MSAV	CAV/MSAV	CAV/MSAV	CAV/MSAV	CAV/MSAV
Net Cooling Capacity (Btuh)	150,000	172,000	176,000	194,000	200,000	230,000	230,000	270,000
Cooling Stages	2	2	2	2	2	2	2	2
Nominal Supply Air (cfm)	5,000	5,250	6,000	6,125	5,700	6,400	6,000	8400
EER	12.0	12.0	11.0 (KC) 10.8 (KG)	12.0	11.0 (KC) 10.8 (KG)	12.0	11.0 (KC) 10.8 (KG)	10.5
IEER	13.2 (CAV) 14.1 (MSAV)	13.5 (CAV) 13.7 (MSAV)	12.4 (CAV, KC) 13.8 (MSAV, KC) 12.2 (CAV, KG) 13.6 (MSAV, KG)	13.0 (CAV) 14.0 (MSAV)	12.4 (CAV, KC) 13.5 (MSAV, KC) 12.2 (CAV, KG) 13.3 (MSAV, KG)	13.2 (CAV) 14.5 (MSAV)	12.4 (CAV, KC) 13.6 (MSAV, KC) 11.4 (CAV, KG) 13.4 (MSAV, KG)	11.6 (CAV, KC) 13.8 (MSAV, KC) 11.4 (CAV, KG) 13.8 (MSAV, KG)
Gas Heat Sizes (kBtuh) (Up to stages)	260 (2), 360 (2)	260 (2), 360 (2), 480 (2)	260 (2), 360 (2), 480 (2)	260 (2), 360 (2), 480 (2)	260 (2), 360 (2), 480 (2)	260 (2), 360 (2), 480 (2)	260 (2), 360 (2), 480 (2)	260 (2), 360 (2), 480 (2)
Electric Heat Sizes (kW)	15, 30, 45, 60	15, 30, 45, 60	15, 30, 45, 60	15, 30, 45, 60, 90	15, 30, 45, 60, 90	15, 30, 45, 60, 90	15, 30, 45, 60, 90	15, 30, 45, 60, 90
Blower Motor Size (HP)	2, 3, 5	3, 5, 7.5	3, 5, 7.5	3, 5, 7.5	3, 5, 7.5	5, 7.5, 10	5, 7.5, 10	5, 7.5, 10
Weight - Shipping (lbs.) G/E	2,135	2,315	1,990	2,440	2,135	2,525	2,380	2,650
Weight - Shipping (lbs.) E/E	1,985	2,165	1,840	2,290	1,985	2,375	2,230	2500
Cabinet Size - H x W x L (in.)	55 x 92 x 108	55 x 92 x 133	55 x 92 x 108	55 x 92 x 133	55 x 92 x 108	55 x 92 x 133	55 x 92 x 133	55 x 92 x 133
Filter (Quantity/Size)	(6) 24 x 24 x 2	(6) 24 x 24 x 2	(6) 24 x 24 x 2	(6) 24 x 24 x 2	(6) 24 x 24 x 2	(6) 24 x 24 x 2	(6) 24 x 24 x 2	(6) 24 x 24 x 2
Sound (dBA)	86	93	86	94	86	94	93	94

UNIT MCA & MOCP Electrical (Standard Indoor Fan Motor)															
Model number	Voltage	HP	MCA	MOCP	Model number	Voltage	HP	MCA	MOCP	Model number	Voltage	HP	MCA	MOCP	
KC/KGB024S	208-230/1	0.25	16	25	KC/KGB074S	208-230/3	1	29	45	KC/KGA156H	208-230/3	3	57	70	
	208-230/1	0.33*	18	25		460/3	1	15	20		460/3	3	31	35	
208-230/1	0.25	20	30	575/3		1	11	15	575/3	3	25	30			
KC/KGB030S	208-230/1	0.25	20	30	KC/KGB090S	208-230/3	2	45	70	KC/KGB180S	208-230/3	5	61	70	
	208-230/1	0.33*	22	30		460/3	2	20	30		460/3	5	30	35	
208-230/1	0.75	29	40	575/3		2	16	20	575/3	5	23	25			
KC/KGB036S	460/3	1	9	15	KC/KGA092H	208-230/3	3	42	50	KC/KGA180H	208-230/3	5	71	80	
	575/3	1	7	15		460/3	3	20	25		460/3	5	39	45	
	208-230/3	0.05	17	25		575/3	3	17	20	575/3	5	27	30		
	460/3	0.05	9	15	KC/KGB092S	208-230/3	3	45	50	KC/KGA210S KC/KGB210S	208-230/3	5	88	100	
	575/3	0.05	8	15		460/3	3	22	25		460/3	5	39	45	
208-230/1	0.5*	26	40	575/3	3	16	20	575/3	5		31	35			
208-230/1	0.75	35	50	KC/KGB048S	208-230/3	3	43	50	KC/KGA210H	208-230/3	5	87	100		
208-230/3	1	21	30		460/3	3	23	25		460/3	5	42	45		
460/3	1	11	15		575/3	3	19	20	575/3	5	32	35			
KC/KGB060S	208-230/1	0.75*	33	50	KC/KGB102S	208-230/3	3	41	50	KC/KGA102H	208-230/3	7.5	110	125	
	208-230/1	0.75	38	60		460/3	3	20	25		460/3	7.5	53	60	
	208-230/3	1	24	35		575/3	3	17	20	575/3	7.5	40	45		
	460/3	1	14	20	KC/KGB120S	208-230/3	3	46	50	KC/KGA240H	208-230/3	7.5	99	110	
	575/3	1	9	15		460/3	3	26	30		460/3	7.5	54	60	
	208-230/1	0.75	35	50		575/3	3	18	20	575/3	7.5	38	45		
	208-230/3	0.75	25	35	KC/KGA120H	208-230/3	3	46	50	KC/KGA300S	208-230/3	7.5	129	150	
460/3	0.75	14	20	460/3		3	26	30	460/3		7.5	60	70		
575/3	0.75	10	15	KC/KGB072H	575/3	3	18	20	KC/KGA300S	575/3	7.5	46	50		
208-230/1	1*	37	50		208-230/3	3	65	80							
208-230/3	1	30	45	KC/KGB074H	460/3	3	30	35							
460/3	1	13	20		575/3	3	23	30							
575/3	1	10	15												

\*MSAV Direct Drive on Single Phase KGB only

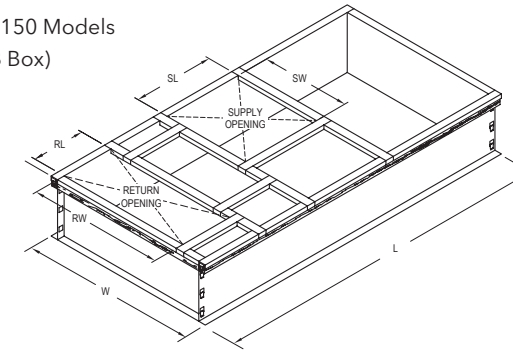
# QUICK REFERENCE GUIDE

**LANDMARK®**  
Performance Marked by Flexibility™

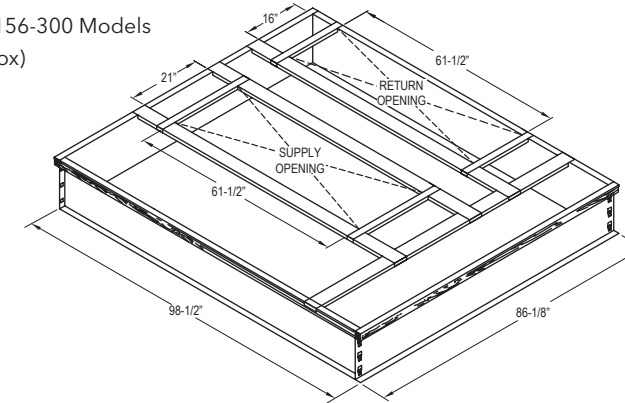
2- to 25-ton packaged gas/electric and electric/electric rooftop units

UNIT MCA & MOCP Electrical (Standard Indoor Fan Motor)					
Option	Factory	Field	Option	Factory	Field
<b>Cooling</b>			<b>Indoor Air Quality</b>		
Crankcase Heater (KCA/KGA036-090)		•	MERV 8 Filters		•
Drain Pan Overflow Switch		•	MERV 13 Filters		•
Low-Ambient Kit		•	Replacement Media Filter With Metal Mesh**		•
Pvc Or Copper Condensate Drain Trap		•	IAQ (Co 2) Sensors		•
<b>Blower</b>			<b>Electrical</b>		
Blower - Supply Air Motors	•		Electrical Voltage	•	
Blower - Supply Air Drive Kits	•		HACR Circuit Breakers	•	•
VFD Manual Bypass Kit (MSAV®)		•	Disconnect Switch	•	•
<b>Heating</b>			<b>Economizer</b>		
Bottom Gas Piping Kit		•	Economizer - Downflow Or Horizontal With Barometric Relief	•	•
Combustion Air Intake Extensions		•	Economizer - Horizontal Conversion Kit		•
Gas Heat Input	•		Economizer Controls - Single Enthalpy	•	•
Low-Temperature Vestibule Heater		•	Economizer Controls - Differential Enthalpy	•	•
Lpg/Propane Conversion Kits		•	Horizontal Barometric Relief Dampers - Hood Furnished		•
Stainless Steel Heat Exchanger	•		<b>Outdoor Air</b>		
Vertical Vent Extension		•	Manual Outdoor Air Dampers	•	•
<b>Cabinet</b>			<b>Roof Curbs/Ceiling Diffusers</b>		
Combination Coil/Hail Guards		•	Roof Curbs (Standard, Clip, Hinged)		•
Hinged Access Panels	•		Ceiling Diffusers		•
Corrosion Protection (indoor coil/outdoor coil)	•		<i>*Applies to 7.5- to 12.5-ton models only.</i>		
Horizontal Discharge Kit		•	<i>**Applies to 7.5- to 25-ton models only.</i>		
Return Air Adaptor Plate*	•	•			
<b>Controls</b>					
CS3000 and CS7500 Commercial Programmable Thermostats		•			
BACnet Module	•	•			
BACnet Thermostat with Display		•			
BACnet Thermostat without Display		•			
Plenum Cable		•			
Smoke Detector Supply and/or Return		•			

For 024-150 Models  
(A and B Box)



For 156-300 Models  
(C Box)



Model No.	Length	Width	Supply Air		Return Air	
	L	W	SL	SW	RL	RW
024 to 090 (A)	79-3/4	41-1/2	19-1/8	21-1/8	12-5/8	32
092 to 150 (B)	95-3/8	54-1/4	29-3/4	21-3/4	26-3/4	29-3/4
156 to 300 (C)	86-1/8	98-1/2	21	61-1/2	16	61-1/2

Note - Due to Lennox' ongoing commitment to quality, all specifications, ratings and dimensions are subject to change without notice.



Visit us at [www.lennox.com](http://www.lennox.com)  
For the latest technical information,  
[www.lennoxcommercial.com](http://www.lennoxcommercial.com)  
Contact us at 1-800-4-LENNOX

©2021 Lennox Industries, Inc.  
13U61 10/21 PC92469