

2- to 20-Ton Packaged Rooftop Performance Data (Heat Pumps) - Standard Efficiency																						
Size (Tons)	2	2	2.5	3	3	3	4	4	4	5	5	5	6	7.5	7.5	8.5	8.5	10	10	12.5	15	20
Efficiency	Standard	High-Efficiency	Standard	Standard	Standard	High-Efficiency	Standard	Standard	High-Efficiency	Standard	Standard	High-Efficiency	Standard	Standard	High-Efficiency	Standard	High-Efficiency	Standard	High-Efficiency	Standard	Standard	Standard
Model Number	KHB024S4D	KD/ KHB024H4E	KHB030S4D	KHB036S4B/D	KHA036S4B/D	KD/ KHB036H4E	KHB048S4B/D	KHA048S4B/D	KD/ KHB048H4E	KHB060S4B	KHA060S4B	KD/ KHB060H4E	KHA072S4B/ KHB074S4T	KHA092S4B/M	KD/ HB092H4B/M	KHA102S4B/M	KD/ HB102H4B/M	KHA120S4B/M	KD/ HB122H4M/E	KHA150S4B/M	KHA180S4B/M	KHA240S4B/M
Blower Type	Direct Drive	Direct Drive	Direct Drive	Belt Drive/ Direct Drive	Belt Drive/ Direct Drive	Direct Drive	Belt Drive/ Direct Drive	Belt Drive/ Direct Drive	Direct Drive/ Belt Drive	Belt Drive	Belt Drive	Direct Drive/ Belt Drive	Direct Drive	Belt Drive	Belt Drive	Belt Drive	Belt Drive	Belt Drive	Direct Drive ECM	Belt Drive	Belt Drive	Belt Drive
Net Cooling Capacity (Btuh)	23,000	23,600	28,800	35,000	35,600	35,200	46,500	47,000	46,000	60,000	59,000	58,000	69,000 (CAV) 68,000 (MSAV)	89,000	89,000	100,000	100,000	118,000	118,000	138,000	174,000	218,000
Net Heating Capacity (Btuh)	25,000	24,000	30,000	36,600	36,400	35,000	49,500	48,000	46,000	58,000	60,500	59,000	70,000	89,000	89,000	100,000	100,000	116,000	116,000	138,000	178,000	220,000
Stages	1	2	1	1	1	2	1	1	2	1	1	2	1 (CAV) 2 (MSAV)	2	2	2	2	2	2	2	2	2
Nominal Supply Air (cfm)	860	800/560	1,030	1,200	1,160	1,200/800	1,670	1,600	1,430/1,120	2,020	1,985	1,650/1,210	2,060 (CAV) 2,100 (MSAV)	3,000	3,000	3,400	3,400	3,600	3,600	4,500	6,000	7,500
EER	11.7	13.0	11.9	11.5	10.9	208/230V - 12.7 460/575V - 12.4	11.4	10.7	12.8	11.9	10.9	12.5	11.0	11.0	12.1	11.0	12	11.0	12.3	10.6	10.6	10.6
SEER (024-060)/ IEER (072-240)	14.0	16.5	14.0	14.0	13.0	16.0	14.0	13.0	16.0	14.0	13.0	16.0	12.1 (CAV) 14.0 (MSAV)	12.2 (CAV) 12.5 (MSAV)	12.9 (CAV) 14.2 (MSAV)	12.2 (CAV) 12.5 (MSAV)	12.5 (CAV) 14.3 (MSAV)	11.3 (CAV) 12.5 (MSAV)	14.8	10.7 (CAV) 12.0 (MSAV)	12.2 (CAV) 13.2 (MSAV)	11.2 (CAV) 13.0 (MSAV)
HSPF (Region IV)	8.0	8.3	8.0	8.0	7.7	8.5	8.0	7.7	8.5	8.0	7.7	8.5	---	---	---	---	---	---	---	---	---	---
COP (High Heat)	---	---	---	---	---	---	---	---	---	---	---	---	3.3	3.3	3.6	3.3	3.6	3.3	3.6	3.2	3.2	3.2
CAP 47 (HIGH)	---	24,000	---	---	---	35,000	---	---	46,000	---	---	59,000	---	---	86,000	---	100,000	---	116,000	---	---	---
COP 17 (LOW)	---	2.34	---	---	---	2.4	---	---	2.52	---	---	2.46	---	---	2.4	---	2.3/2.4	---	2.4	---	---	---
CAP 17 (LOW)	---	13,000	---	---	---	19,200	---	---	26,000	---	---	34,000	---	---	51,000	---	55,000/ 58,000	---	70,000	---	---	---
**AFUE/ Thermal Eff.	---	81%	---	---	---	81%	---	---	81%	---	---	81%	---	---	80%	---	80%	---	80%	---	---	---
**Gas Heat CAP kBtuh	---	52(1)	---	---	---	57(2), 86(2)	---	---	57(2), 86(2), 120(2)	---	---	57(2), 86(2), 120(2)	---	---	130(2), 180(2), 240(2)	---	130(2), 180(2), 240(2)	---	130(2), 180(2), 240(2)	---	---	---
Electric Heat Sizes (kW)	5, 7.5, 10	5, 7.5, 10	5, 7.5, 10	7.5, 15	7.5, 15	7.5, 15	7.5, 15	7.5, 15	7.5, 15	7.5, 15, 22.5	7.5, 15, 22.5	7.5, 15, 22.5	7.5, 15, 22.5, 30	7.5, 15, 22.5, 30, 45	7.5, 15, 22.5, 30, 45	7.5, 15, 22.5, 30, 45	7.5, 15, 22.5, 30, 45	15, 22.5, 30, 45 & 60	15, 22.5, 30, 45, 60	15, 22.5, 30, 45, 60	15, 30, 45, 60, 90	
Blower Motor Size (HP)	0.25	.33	0.25	.50 (Direct) .75, 1, 1.5, 2 (Belt)	.50 (Direct) 1, 2 (Belt)	.50	.50 (Direct) .75, 1, 1.5, 2 (Belt)	.50 (Direct) 1, 2 (Belt)	.75	.75, 1, 1.5, 2 (Belt)	1, 2 (Belt)	1	1.5, 2 (CAV) 1, 2 (MSAV)	2, 3, 5	2, 3, 5	2, 3, 5	2, 3, 5	2, 3, 5	2, 3, 5	3.75	2, 3, 5	3, 5, 7.5
Net. Weight (lbs.)	566	595/568	566	566	566	595/568	641	641	670/641	686	686	756/727	727	1,052	1,121/1,073	1,084	1,123/1,075	1,150	1,264/1,216	1,350	1,350	1,350
Weight - Shipping (lbs.)	607	635/608	607	607	595	635/608	682	617	710/681	727	727	816/787	810	1,137	1,206/1,158	1,169	1,208/1,160	1,235	1,349/1,301	1,435	2,150	2,350
Cabinet Size - H x W x L (in.)	39 x 47 x 86						47 x 47 x 86	39 x 47 x 86	47 x 47 x 86				47 x 47 x 99		47 x 61 x 102	46-7/8 x 60-1/8 x 101-1/4	47 x 61 x 102	46-7/8 x 60-1/8 x 101-1/4	47 x 61 x 102	46-7/8 x 60-1/8 x 101-1/4	47 x 61 x 125	55 x 92 x 130
Filter (Quantity/Size)	(4) 16 x 20 x 2						(4) 20 x 20 x 2	(4) 16 x 20 x 2	(4) 20 x 20 x 2				(4) 20 x 25 x 2						(4) 20 x 25 x 2		(6) 24 x 24 x 2	
Sound - Cooling/ Heating (dBA)	75	74	75	75	75	75	75	75	77	80	82	77	83	88	86	88	86	88	85	88	93	93

Note - Due to Lennox' ongoing commitment to quality, all specifications, ratings and dimensions are subject to change without notice.

\*\*Applies only for KD models

**Unit MCA & MOCP Electrical (Standard Indoor Fan Motor)**

Unit	Voltage	HP	MCA	MOCP
KHB024S	208-230/1	0.25	16	25
KHB030S	208-230/1	0.25	20	30
KHB036S	208-230/1	0.5	25	40
	208-230/3	0.5	17	25
	460/3	0.5	9	15
KHA036S	208-230/1	0.5	19	25
	460/3	0.5	11	15
	575/3	0.5	8	15
KHB048S	208-230/1	0.5	31	50
	208-230/3	0.5	20	30
	460/3	0.5	10	15
575/3	0.5	9	15	

Unit	Voltage	HP	MCA	MOCP
KHA048S	208-230/3	0.5	23	35
	460/3	0.5	11	15
	575/3	0.5	9	15
KHB060S	208-230/1	1.5	42	60
	208-230/3	1	24	35
	460/3	1	14	20
	575/3	1	9	15
KHA060S	208-230/3	1	27	40
	460/3	1	14	20
	575/3	1	10	15
KHA072S	208-230/3	1.5	34	50
	460/3	1.5	17	25
	575/3	1.5	13	20

Unit	Voltage	HP	MCA	MOCP
KHB074S	208-230/3	1	30	45
	460/3	1	15	20
	575/3	1	11	15
KHA092S	208-230/3	3	45	50
	460/3	3	22	25
	575/3	3	16	20
KHA102S	208-230/3	3	50	60
	460/3	3	22	25
	575/3	3	20	25
KHA120S	208-230/3	3	52	60
	460/3	3	26	30
	575/3	3	20	25
KHA150S	208-230/3	3	61	70
	460/3	3	31	40
	575/3	3	24	30

Unit	Voltage	HP	MCA	MOCP
KHA180S	208-230/3	5	83	100
	460/3	5	41	50
	575/3	5	31	35
KHA240S	208-230/3	7.5	102	125
	460/3	7.5	54	70
	575/3	7.5	41	50

Unit	Voltage	HP	MCA	MOCP
KD/KHB024H	208/230/1	0.33	21	30
	208/230/1	0.5	27	40
	208/230/3	0.5	22	30
KD/KHB036H	460/3	0.5	11	15
	575/3	0.5	8	15
	208/230/1	0.75	36	50
KD/KHB048H	208/230/3	0.75	27	40
	460/3	0.75	13	15
	575/3	0.75	10	15
KD/KHB060H	208/230/1	1	45	70
	208/230/3	1	31	45
	460/3	1	15	20
575/3	1	11	15	
KD/KHB122H	208/230/3	3.75	53	60
	460/3	3.75	27	30
	575/3	3.75	20	25

Unit	Voltage	HP	MCA	MOCP
KD/KHB024H	208/230/1	0.75	21	30
	208/230/1	1	22	30
	460/3	0.75	11	15
	460/3	1	11	15
	575/3	0.75	8	15
575/3	1	8	15	
KD/KHB036H	208/230/1	0.8	24	35
	208/230/1	2	28	40
	460/3	0.75	11	15
	460/3	2	13	15
	575/3	0.75	9	15
575/3	2	10	15	
KD/KHB048H	208/230/1	1	29	29
	208/230/1	2	31	31
	460/3	1	13	13
	460/3	2	14	14
	575/3	1	10	10
575/3	2	11	11	
KD/KHB060H	208/230/3	2	43	50
	208/230/3	3	46	50
	208/230/3	5	53	60
	460/3	2	20	25
	460/3	3	22	25
460/3	5	25	30	
575/3	2	15	15	
575/3	3	16	20	
575/3	5	19	20	
KD/KHB122H	208/230/3	2	46	60
	208/230/3	3	49	60
	208/230/3	5	56	70
	460/3	2	21	25
	460/3	3	22	25
460/3	5	25	30	
575/3	2	19	20	
575/3	3	20	25	
575/3	5	22	25	

**Factory- and Field-Installed Options**

Option	Factory	Field
<b>COOLING</b>		
Drain Pan Overflow Switch		•
PVC or Copper Condensate Drain Trap		•
Low-Ambient Kit		•
<b>BLOWER</b>		
Blower - Supply Air Motors	•	
Blower - Supply Air Drive Kits	•	
VFD Manual Bypass Kit (MSAV)		•
<b>CABINET</b>		
Combination Coil/Hail Guards		•
Corrosion Protection	•	
Hinged Access Panels	•	
Horizontal Discharge Kit		•
Return Air Adaptor Plate*		•

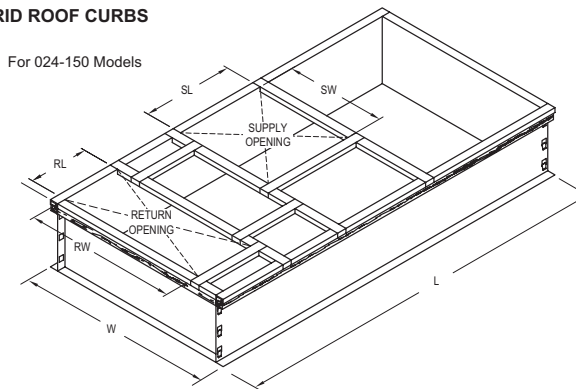
Option	Factory	Field
<b>CONTROLS</b>		
CS3000 and CS7500 Commercial Thermostats		•
BACnet†	•	•
BACnet Thermostat with Display		•
BACnet Thermostat without Display		•
Novar® 2051	•	•
Plenum Cable		•
L Connection® Building Automation System		•
Smoke Detector Supply and/or Return		•
<b>INDOOR AIR QUALITY</b>		
MERV 8 Filters		•
MERV 13 Filters		•
Replacement Media Filter with Metal Mesh		•
IAQ (CO <sub>2</sub> ) Sensors		•
UVC Germicidal Light Kit		•
Aspiration Box		•
<b>ELECTRICAL</b>		
Electrical Voltage	•	
Disconnect Switch	•	•
GFI Service Outlets (15 amp)	15 amp	•
	20 amp	•
Weatherproof Cover for GFI		•
Electric Heat		•

Option	Factory	Field
<b>ECONOMIZER</b>		
Economizer - Includes Barometric Relief Dampers and Exhaust Hood	•	•
Economizer - No Exhaust		•
Single Enthalpy Control	•	•
Differential Enthalpy Control (order 2)		•
Horizontal Economizer Conversion Kit**		•
Horizontal Low-Profile Barometric Relief Dampers With Exhaust Hood***		•
<b>OUTDOOR AIR</b>		
Manual Outdoor Air Dampers	•	•
Motorized Outdoor Air Dampers	•	•
Power Exhaust Fan, Standard Static		•
<b>ROOF CURBS / CEILING DIFFUSERS</b>		
Roof Curbs (Hybrid/Full Perimeter, Downflow)		•
Adjustable-Pitch Curb		•
Ceiling Diffusers		•

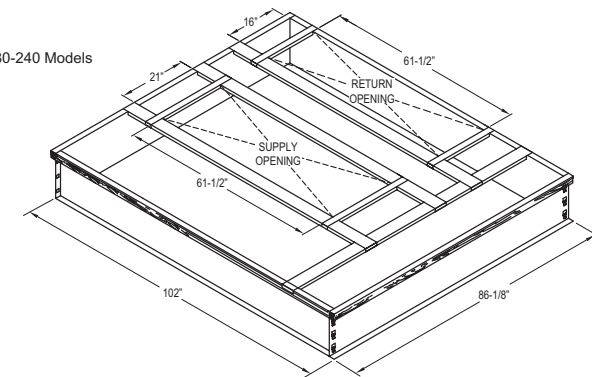
\*Applies to 7.5- to 12.5-ton units only.  
\*\*Applies to 2- to 6-ton units only.  
\*\*\*Applies to 7.5- to 20-ton units only.

**HYBRID ROOF CURBS**

For 024-150 Models



For 180-240 Models



Model No.	Length		WIDTH		Supply Air		Return Air	
	L	W	SL	SW	RL	RW		
024 to 072	79-3/4	41-1/2	19-1/8	21-1/8	12-5/8	32		
092 to 150	95-3/8	54-1/4	29-3/4	21-3/4	26-3/4	29-3/4		
060/072/074	92-3/4	41-1/2	19-1/8	21-1/8	12-5/8	32		

Note - Due to Lennox's ongoing commitment to quality, all specifications, ratings and dimensions are subject to change without notice.



Visit us at [www.lennox.com](http://www.lennox.com)  
For the latest technical information,  
[www.lennoxcommercial.com](http://www.lennoxcommercial.com)  
Contact us at 1-800-4-LENNOX

©2016 Lennox Industries, Inc.  
14G44 12/16 PC85593