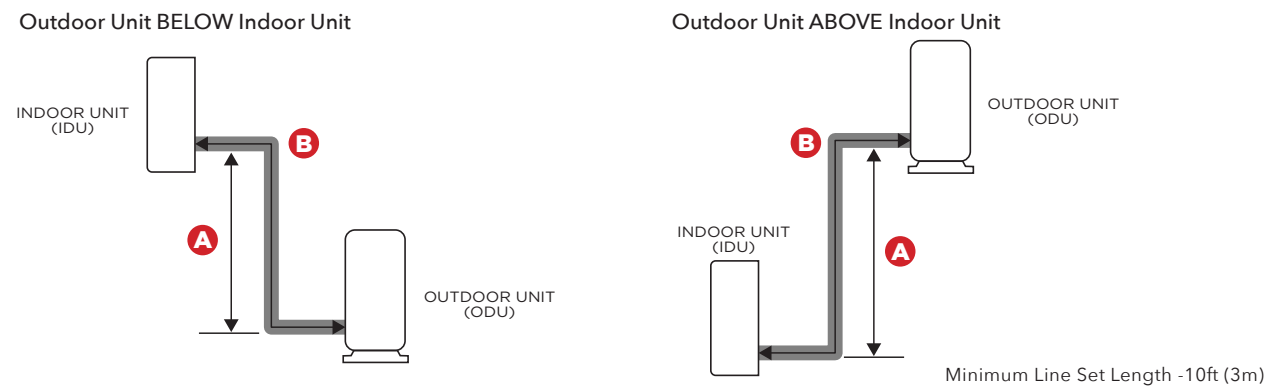


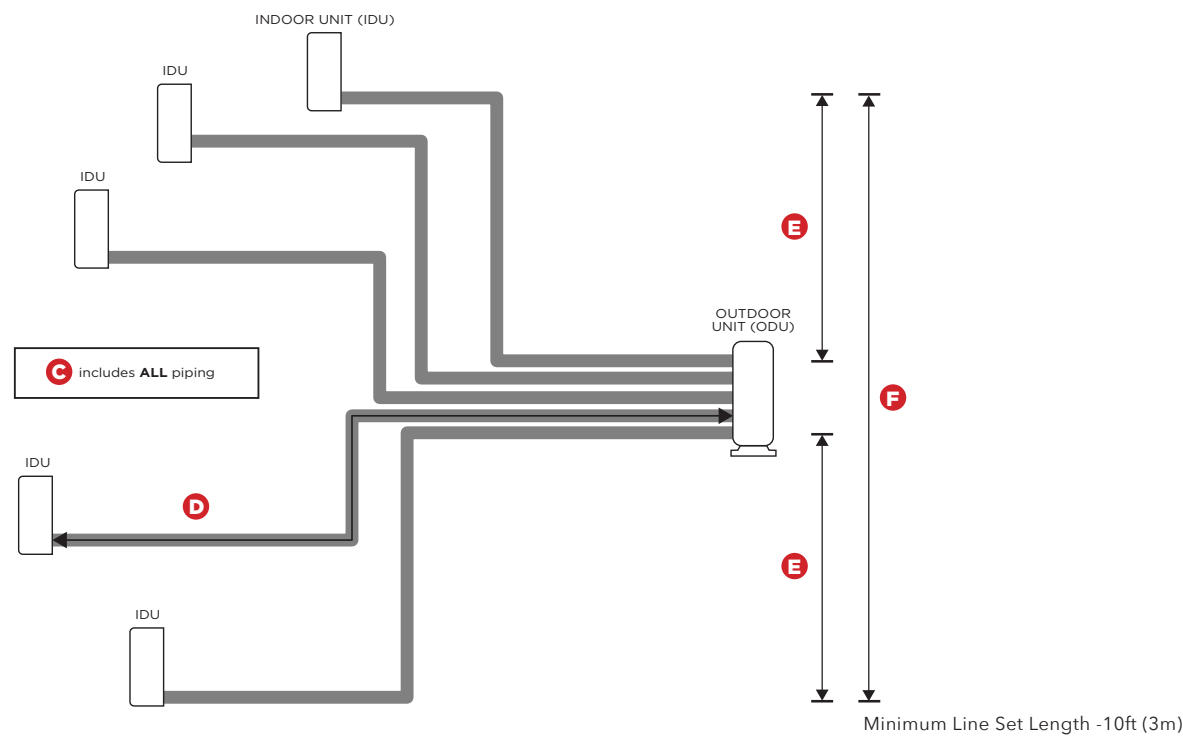
Piping Limitations (Single-Zone, Mini-Split Systems)



Single-Zone Pipe Length

Model Number	009	012	018	024	030	036	048
Liquid Line Set Diameter [in]	1/4	1/4	1/4	3/8	3/8	3/8	3/8
Vapor Line Set Diameter [in]	3/8	1/2	1/2	5/8	5/8	5/8	5/8
Max Elevation ODU to IDU [ft (m)] - A	33 (10)	33 (10)	66 (20)	82 (25)	82 (25)	98 (30)	98 (30)
Max Pipe Length [ft (m)] - B	82 (25)	82 (25)	98 (30)	164 (50)	164 (50)	213 (65)	213 (65)




Piping Limitations (Multi-Zone, Mini-Split Systems)



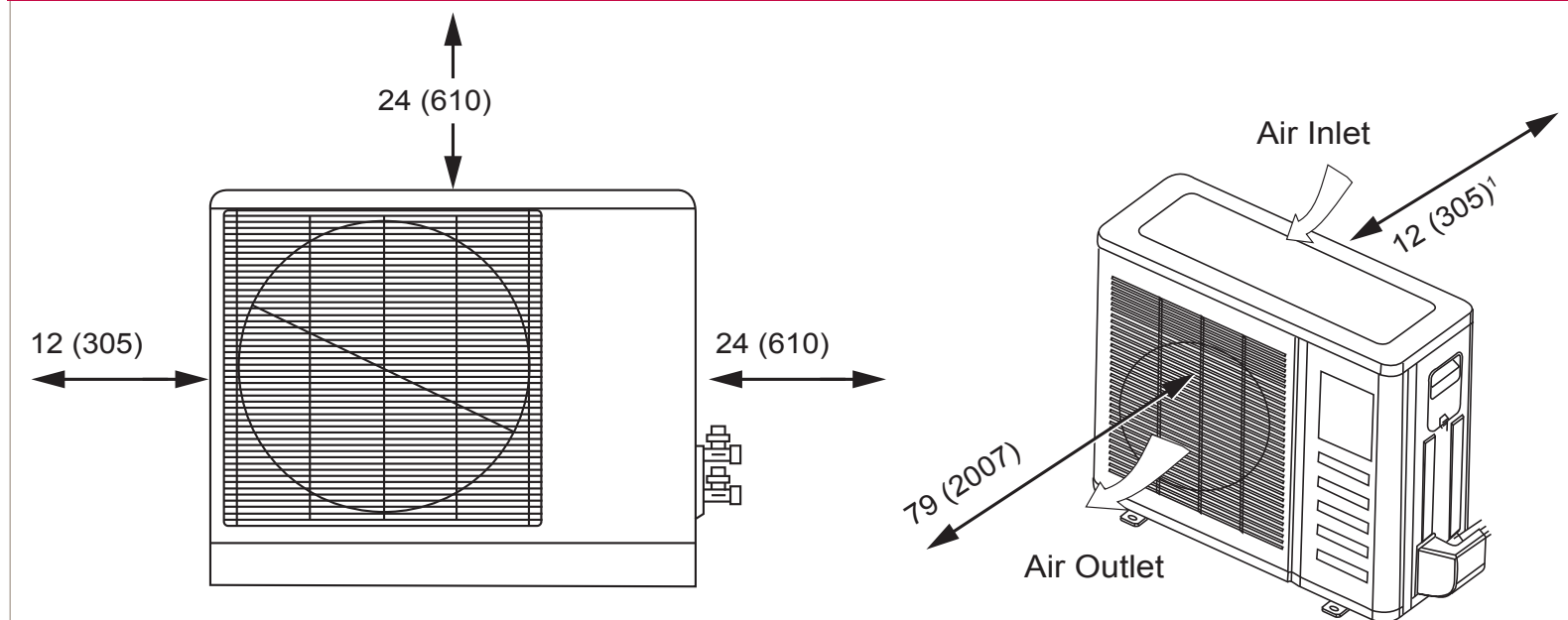
Multi-Zone Pipe Length

Size	018	030	036	048
Maximum Number of IDUs	2	3	4	5
MPB Max (Total) Pipe Length for all IDUs [ft (m)] - C	131 (40)	197 (60)	262 (80)	262 (80)
MLA/B Max (Total) Pipe Length for all IDUs [ft (m)] - C	131 (40)	197 (60)	262 (80)	262 (80)
MPB Max Pipe Length for One IDU [ft (m)] - D	82 (25)	98 (30)	115 (35)	115 (35)
MLA/B Max Pipe Length for One IDU [ft (m)] - D	82 (25)	98 (30)	115 (35)	115 (35)
Max Elevation ODU to IDU [ft (m)] - E	49 (15)	49 (15)	49 (15)	49 (15)
Max Elevation IDU to IDU [ft (m)] - F	33 (10)	33 (10)	33 (10)	33 (10)

Lennox Mini-Split Local Controllers

	 Wired MOSTAT61Q-1	 Wireless MOSTAT60Q-1	 Programmable MOSTAT64Q-1
Dimensions (in)	4.72 x 4.72 x 0.83	5.70 x 2.16 x 0.86	4.88 x 4.75 x 0.75
Ships Standard	MMD*	MWM*, M22A, M33*, MCF*	N/A
Controller Features			
LED Display	•	•	•
Operation Mode Toggle (Auto - Cool - Dry - Heat - Fan)	•	•	•
Fan-Speed Toggle (Auto - Low - Medium - High)	•	•	•
Temperature Toggle Fahrenheit - Celsius)	•	•	•
Louver Swing	•	•	•
Setpoint Control	•	•	•
Time On/Off	•	•	•
Follow Me	•	•	•
Programmable Schedule	•	•	•

Outdoor Unit Clearance – Inches (mm)



¹Minimum rear clearance can be 6 inches (152mm) when mounted on brackets and with no obstruction on the other three sides.



Visit us at www.lennox.com
For the latest technical information, www.lennoxcommercial.com
Contact us at 1-800-4-LENNOX

©2020 Lennox Industries, Inc.

(13U77) 8/20 PC92331