

QUICK REFERENCE GUIDE



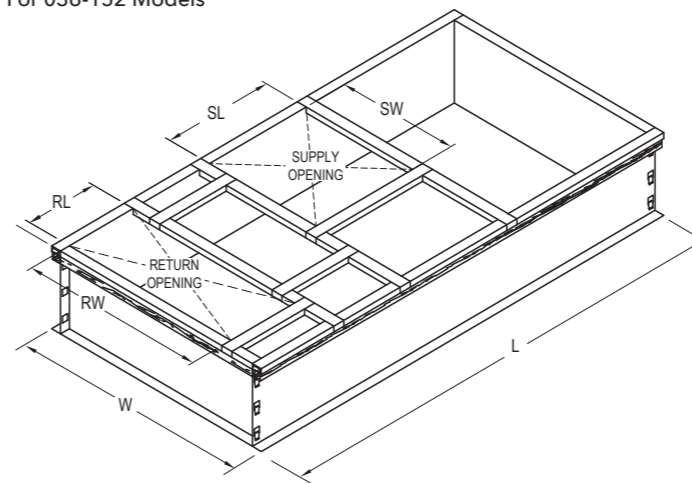
3- to 20-Ton Packaged Ultra-High-Efficiency Rooftop Units

3- to 12.5-Ton Packaged Ultra-High-Efficiency Rooftop Performance Data (Gas or Electric Heat)										
Nominal Size (tons)	3	4	5	6	7.5	7.5	10	10	12.5	12.5
Efficiency	Ultra-High	Ultra-High	Ultra-High	Ultra-High	Ultra-High	Ultra-High	Ultra-High	Ultra-High	Ultra-High	Ultra-High
Model Number	LCH/LGH 036U4E	LCH/LGH 048U4E	LCH/LGH 060U4E	LCH/LGH 074U4E	LCH/LGH 094U4E	LCH/LGH 094U4M	LCH/LGH 122U4E	LCH/LGH 122U4M	LCH/LGH 152U4E	LCH/LGH 152U4M
Blower Type	MSAV- Direct Drive	MSAV-Direct Drive	MSAV-Direct Drive	MSAV-Direct Drive	DirectPlus™ (Direct Drive)	MSAV (Belt Drive)	DirectPlus (Direct Drive)	MSAV (Belt Drive)	DirectPlus (Direct Drive)	MSAV (Belt Drive)
Net Cooling Capacity (Btuh)	34,500	47,000	58,000	70,000	92,000		116,000		138,000	136,000
Cooling Stages	Fully Variable				2	2	2	2	2	2
Nominal Supply Air (cfm)	1,200	1,550	1,800	2,050	2,800		3,600		4,000	
SEER	23.5 (208-230V/3ph) 22.5 (460V/3ph)	21 (208-230V/3ph) 20.2 (460V/3ph)	20 (208-230V/3ph) 19.5 (460V/3ph)	-	-	-	-	-	-	-
IEER	-	-	-	22	21.5	20.7	20.0	19.2	18.9	18.1
EER	15.0 (208-230V/3ph) 14.5 (460V/3ph)	14.0 (208-230V/3ph) 13.7 (460V/3 ph)	13.0 (208-230V/3ph) 12.5 (460V/3 ph)	12	13.9	13.4	13.1	12.6	12.3	12.0
Gas Heat Sizes, Input (kBtuh) (up to stages)	65(1), 70(2), 108(2)	65(1), 70(2), 108(2), 150(4)	65(1), 70(2), 108(2), 150(4)	65(1), 70(2), 108(2), 150(4)	130(2), 180(2), 240(2)					
Electric Heat Size (kW)	7.5 and 15 kW	7.5 and 15 kW	7.5, 15 and 22.5 kW	7.5, 15 and 22.5 kW	7.5, 15, 22.5, 30, 45 kW		15, 22.5, 30, 45, 60 kW		15, 22.5, 30, 45, 60 kW	
Blower Motor Size (HP)	0.50 (ECM)	0.75 (ECM)	1 (ECM)	1 (ECM)	3.75 (ECM)	2, 3, 5	3.75 (ECM)	2, 3, 5	3.75 (ECM)	2, 3, 5
Weight - Shipping (lbs.) G/E	752	776	801	801	1,345		1,355		1,365	
Net. Weight (lbs.) G/E	710	735	759	759	1,260		1,270		1,280	
Weight - Shipping (lbs.) E/E	716	740	765	765	1,297		1,307		1,317	
Net. Weight (lbs.) E/E	674	699	723	723	1,212		1,222		1,232	
Cabinet Size - H x W x L (in.)	47 x 47 x 86				47 x 61 x 125					
Filter (Quantity/Size)	(4) 20 x 20 x 2				(4) 20 x 25 x 2					
Sound (dBA)	73	76	78	80	81					

15- and 20-Ton Packaged Ultra-High-Efficiency Rooftop Performance Data (Gas or Electric Heat)		
Nominal Size (tons)	15	20
Efficiency	Ultra-High	Ultra-High
Model Number	LCH/LGH 180U4M	LCH/LGH 240U4M
Blower Type	MSAV - Belt Drive	MSAV - Belt Drive
Net Cooling Capacity (Btuh)	180,000	234,000
Cooling Stages (up to)	4	4
Nominal Supply Air (cfm)	5,200	6,400
IEER	20.2	20.0
EER	12.7	12.0
Gas Heat Sizes, Input (kBtuh) (up to stages)	169 (1), 260 (2), 360 (2), 480 (2)	260 (2), 360 (2), 480 (2)
Electric Heat Sizes (kW)	15, 30, 45, 60	15, 30, 45, 60, 90
Blower Motor Size (HP)	3, 5, 7.5	5, 7.5, 10
Net. Weight (lbs.) G/E	2,390	2,430
Weight - Shipping (lbs.) G/E	2,590	2,630
Net. Weight (lbs.) E/E	2,240	2,280
Weight - Shipping (lbs.) E/E	2,440	2,480
Cabinet Size - H x W x L (in.)	55 x 92 x 133	
Filter (Quantity/Size)	(6) 24 x 24 x 2	
Sound (dBA)	86	90

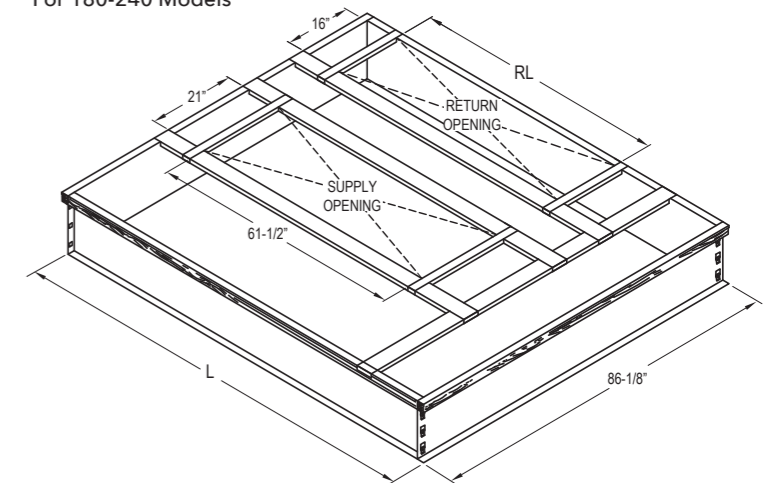
Note - Due to Lennox' ongoing commitment to quality, all specifications, ratings and dimensions are subject to change without notice.

For 036-152 Models



Model No.	Length	Width	Supply Air		Return Air	
	L	W	SL	SW	RL	RW
036 to 074	79-3/4	41-1/2	19-1/8	21-1/8	12-5/8	32
092 to 152	95-3/8	54-1/4	29-3/4	21-3/4	26-3/4	29-3/4

For 180-240 Models



Model No.	Length	Return Air
	L	RL
180 to 240	102	61-1/2



QUICK REFERENCE GUIDE



3- to 20-Ton Packaged Ultra-High-Efficiency Rooftop Units

LGH/LCH	Unit MCA & MOCP Electrical Data (Standard Indoor Fan Motor)			
	Voltage	HP	MCA	MOCP
036U4E	208/230	.5	20	25
	460	.5	11	15
048U4E	208/230	.75	28	40
	460	.75	14	15
060U4E	208/230	1	30	40
	460	1	15	20
074U4E	208/230	1	33	45
	460	1	17	20
094U4E	208-230	3.75	47	50
	460	3.75	23	25
	575	3.75	17	20
094U4M	208-230	3	49	60
	460	3	23	25
	575	3	18	20
122U4E	208-230	3.75	54	60
	460	3.75	27	30
	575	3.75	20	25
122U4M	208-230	3	56	70
	460	3	26	30
	575	3	20	25
152U4E	208-230	3.75	62	80
	460	3.75	27	35
	575	3.75	22	25
152U4M	208-230	3	64	80
	460	3	28	35
	575	3	23	25
180U4M	208-230	5	91	100
	460	5	43	45
	575	5	32	35
240U4M	208-230	7.5	102	125
	460	7.5	55	60
	575	7.5	38	45

Option	Factory- and Field-Installed Options	
	Factory	Field
Cooling		
Condensate Drain Trap (PVC & Copper)	•	•
Corrosion Protection	•	
Drain Pan Overflow Switch	•	•
Blower		
Blower - Supply Air Motors	•	
Blower - Supply Air Drive Kits	•	
Blower Belt Auto-Tensioner	•	
Heating		
Bottom Gas Piping Kit	•	•
Combustion Air Intake Extensions		•
Gas Heat Input	•	
Low-Temperature Vestibule Heater	•	•
LPG/Propane Conversion Kits		•
Stainless Steel Heat Exchanger	•	
Vertical Vent Extension		•
Cabinet		
Corrosion Protection (indoor coil / outdoor coil)	•	
Combination Coil/Hail Guards		•
Horizontal Discharge Kit*		•
Return Air Adaptor Plate*	•	•
Controls		
CS3000 and CS7500 Commercial Programmable Thermostats	•	•
Blower Proving Switch	•	•
BACnet® Module	•	•
LonTalk® Module	•	•
Novar® 2051	•	•
Novar® LSE	•	
L Connection® Building Automation System		•
Dirty Filter Switch	•	•
Fresh-Air Tempering	•	•
Smoke Detector Supply and/or Return	•	•

Option	Factory- and Field-Installed Options	
	Factory	Field
Indoor Air Quality		
MERV 8 Filters	•	•
MERV 13 Filters	•	•
Replacement Media Filter with Metal Mesh	•	•
IAQ (CO ₂) Sensors		•
UVC Germicidal Light Kit	•	•
Electrical		
Electrical Voltage	•	
HACR Circuit Breakers	•	
Disconnect Switch	•	•
GFI Service Outlets	•	•
Electric Heat	•	•
Weatherproof Cover for GFI		•
Economizer		
Economizer - Downflow or Horizontal with Barometric Relief	•	•
Economizer Controls - Sensible	•	
Economizer Controls - Single Enthalpy	•	•
Economizer Controls - Differential Enthalpy	•	•
Economizer Controls - Global Control	•	
Horizontal Barometric Relief Dampers-Hood Furnished		•
Outdoor Air		
Manual Outdoor Air Dampers	•	•
Motorized Outdoor Air Dampers	•	•
Power Exhaust		
Standard Static	•	•
Roof Curbs/Ceiling Diffusers		
Roof Curbs		•
Ceiling Diffusers		•
Solar		
SunSource® Commercial Energy System		•

*Applies to 094, 122, 152 models only.



Visit us at www.lennox.com
For the latest technical information, www.lennoxcommercial.com
Contact us at 1-800-4-LENNOX

©2019 Lennox Industries, Inc.
14G46 2/19 PC92167