

QUICK REFERENCE GUIDE

3- to 5-Ton Split Systems Air Conditioners, Furnaces & Coils - Standard Efficiency, Three Phase

Nominal Size (tons)	2-Stage 80% Gas Furnaces								2-Stage 94-95% Gas Furnaces									
	3	3	3.5	3.5	4	4	5	5	3	3	3.5	3.5	3.5	4	4	5	5	5
Efficiency (SEER)	13	13	13	13	13.5	13.5	13.5	13.5	13.5	14.5	13.0	14.0	14.0	14.0	14.0	13.0	13.5	13.5
Supply (CFM)	1,200	1,200	1,400	1,400	1,600	1,600	2,000	2,000	1,200	1,200	1,400	1,400	1,400	1,600	1,600	2,000	2,000	2,000
EAT (F)	80/67	80/67	80/67	80/67	80/67	80/67	80/67	80/67	80/67	80/67	80/67	80/67	80/67	80/67	80/67	80/67	80/67	80/67
Total (MBH)	36.8	37.0	42.5	43.0	50.0	50.0	63.0	62.0	36.8	36.8	42.5	42.5	42.5	50.0	50.0	63.0	62.5	62.5
Sensible (MBH)	29.1	29.2	33.6	34.4	40.0	40.0	48.5	47.1	29.1	28.3	33.6	33.2	33.6	39.5	39.5	48.5	48.1	47.5
Stages of Cooling	1	1	1	1	1	1	1	1	1	1	1	1	1	1	1	1	1	1
Coil Model #	CX34-38B-6F	CX34-43B-6F	CX34-43B-6F	CX34-49C-6F	CX34-49C-6F	CX34-49C-6F	CX34-62C-6F	CX34-62D-6F	CX34-38B-6F	CX34-43C-6F	CX34-43B-6F	CX34-43C-6F	CX34-43C-6F	CX34-49C-6F	CX34-49C-6F	CX34-62C-6F	CX34-62C-6F	CX34-62D-6F
Pressure Drop	0.3	0.3	0.2	0.3	0.2	0.3	0.2	0.3	0.25	0.2	0.51	0.2	0.15	0.27	0.35	0.37	0.31	0.25
Shipping Weight (lbs)	51	60	60	72	72	72	77	76	51	63	60	63	63	72	72	77	77	76
Furnace Model #	EL280UH-090P36B	EL280UH-090P36B	EL280UH-090P48B	EL280UH-110P48C	EL280UH-110P48C	EL280UH110X-P60C	EL280UH110X-P60C	EL280UH-135P60D	EL296UH070X-V36B	EL296UH090X-V48C	EL296UH070X-V36B	EL296UH090X-V48C	EL296UH110X-V60C	EL296UH090X-V48C	EL296UH110X-V60C	EL296UH090X-V60C	EL296UH110X-V60C	EL296UH135X-V60D
Max Total SP	0.8	0.8	0.7	0.8	0.7	0.8	0.7	0.8	0.8	0.8	0.8	0.8	0.8	0.8	0.8	0.8	0.8	0.8
Available Duct SP	0.5	0.5	0.5	0.5	0.5	0.5	0.5	0.5	0.55	0.60	0.29	0.60	0.65	0.53	0.45	0.43	0.49	0.55
Input (MBH)	88	88	88	110	110	110	110	132	66	88	66	88	110	88	110	88	110	132
Output (MBH)	70	70	69	86	86	87	87	106	62	85	62	85	106	85	106	85	106	126
Temp Rise Range (F)	35-65	35-65	30-60	35-65	35-65	30-60	30-60	35-65	50-80	45-75	50-80	45-75	45-75	45-75	45-75	40-70	45-75	55-85
AFUE	80%	80%	80%	80%	80%	80%	80%	80%	96%	96%	96%	96%	96%	96%	96%	96%	96%	96%
Stages of Heating	2	2	2	2	2	2	2	2	2	2	2	2	2	2	2	2	2	2
120V MCA	<12	<12	<12	<12	<12	<12	<12	<12	<12	<12	<12	<12	<12	<12	<12	<12	<12	<12
120V MOCP	15	15	15	15	15	15	15	15	15	15	15	15	20	15	20	20	20	20
Shipping Weight (lbs)	141	141	144	161	161	169	169	188	136	163	136	163	174	163	174	164	174	188
Condensing Model #	TSA036S4	TSA036S4	TSA042S4	TSA042S4	TSA048S4	TSA048S4	TSA060S4	TSA060S4	TSA036S4	TSA036S4	TSA042S4	TSA042S4	TSA042S4	TSA048S4	TSA048S4	TSA060S4	TSA060S4	TSA060S4
Sound Rating (dBA)	76	76	80	80	80	80	80	80	76	76	80	80	80	80	80	80	80	80
Suction Line Size (in)	7/8	7/8	7/8	7/8	7/8	7/8	1-1/8	1-1/8	7/8	7/8	7/8	7/8	7/8	7/8	7/8	1-1/8	1-1/8	1-1/8
Liquid Line Size (in)	3/8	3/8	3/8	3/8	3/8	3/8	3/8	3/8	3/8	3/8	3/8	3/8	3/8	3/8	3/8	3/8	3/8	3/8
230V, 3 ph	MCA	14.2	14.2	18.6	18.6	18.8	18.8	21.3	14.2	14.2	18.6	18.6	18.6	18.8	18.8	21.3	21.3	21.3
	MOCP	20	20	30	30	30	30	35	20	20	30	30	30	30	30	35	35	35
460V, 3 ph	MCA	7.8	7.8	8.4	8.4	8.8	8.8	10.7	7.8	7.8	8.4	8.4	8.4	8.8	8.8	10.7	10.7	10.7
	MOCP	15	15	15	15	15	15	15	15	15	15	15	15	15	15	15	15	15
Weight (lbs)	135	135	178	178	194	194	218	218	135	135	178	178	178	194	194	218	218	218

Options for Increased Efficiency and Comfort	
Efficiency Option	Owner's Benefit
Programmable thermostat	Lowers utility bills by reducing unit's usage during unoccupied hours
Comfort Option	Owner's Benefit
Two-stage burner	Improves efficiency and comfort by reducing capacity to better match the heating loads

Options for Improved Maintenance and IAQ	
Maintenance Option	Owner's Benefit
Slide-out blower assembly	Eases maintenance or replacement of blower
IAQ Option	Owner's Benefit
High-efficiency filters	Provides enhanced indoor air quality (MERV 13) and helps qualify for LEED EQ5

Schedule notes for TSA*S4 condensing units
1. Provide crankcase heater and high pressure switch
2. Provide standard ambient cooling operation to 45° F

Options:
1. Provide loss of charge kit
2. Provide compressor sound cover
3. Provide hail guard
4. Provide 30° F low ambient cooling kit
5. Provide 0° F low ambient cooling kit (208/230V only)
6. Provide Freezestat to prevent coil freezing

Schedule notes for EL296UHV / CX34 cased coil (Standard features)
1. Two-stage burner
2. Variable-speed ECM blower motor
3. Thermal expansion valve
4. Meets CA low NOx standards

EL296UHV Optional features:
1. Concentric vent kit (1.5" on 45 MBH, 1.5" on 70 MBH, 2" or 3" on 90 MBH, 2" or 3" on 110 MBH, 3" on 135MBH)
2. 7-day programmable thermostat with touchscreen interface (Vision Pro 8000)

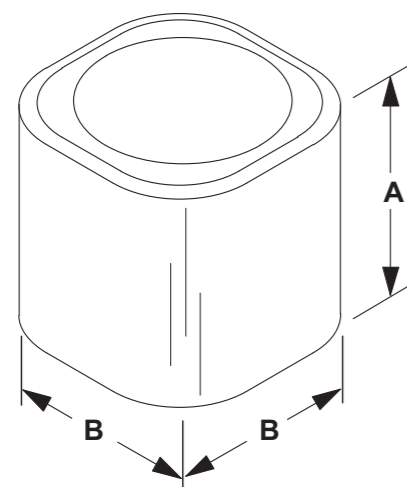


QUICK REFERENCE GUIDE

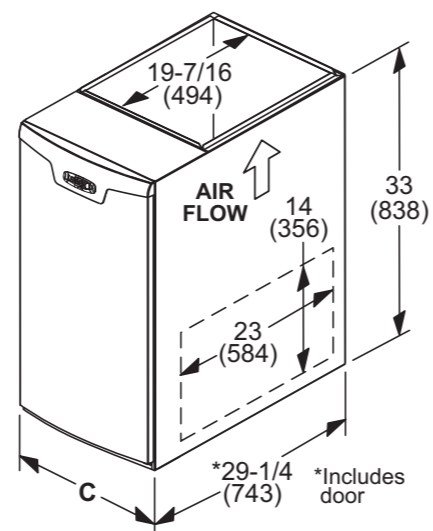
3- to 5-Ton Split Systems Air Conditioners, Furnaces & Coils - Standard Efficiency, Three Phase

Nominal Size (tons)	2-Stage 80% Gas Furnace Dimensions								2-Stage 94 - 95 % Gas Furnace Dimensions									
	3	3	3.5	3.5	4	4	5	5	3	3	3.5	3.5	3.5	4	4	5	5	5
Condensing Model #	TSA036S4	TSA036S4	TSA042S4	TSA042S4	TSA048S4	TSA048S4	TSA060S4	TSA060S4	TSA036S4	TSA036S4	TSA042S4	TSA042S4	TSA042S4	TSA048S4	TSA048S4	TSA060S4	TSA060S4	TSA060S4
Height (in) - A	29.25	29.25	29.25	29.25	37.25	37.25	33.25	33.25	29.25	29.25	29.25	29.25	29.25	37.25	37.25	33.25	33.25	33.25
Width (in) - B	24.25	24.25	28.25	28.25	28.25	28.25	28.25	28.25	24.25	24.25	28.25	28.25	28.25	28.25	28.25	28.25	28.25	28.25
Depth (in) - B	24.25	24.25	28.25	28.25	28.25	28.25	28.25	28.25	24.25	24.25	28.25	28.25	28.25	28.25	28.25	28.25	28.25	28.25
Furnace Model #	EL280UH-090P36B	EL280UH-090P36B	EL280UH-090P48B	EL280UH-110P48C	EL280UH-110P48C	EL280UH110X-P60C	EL280UH110X-P60C	EL280UH-135P60D	EL296UH070X-V36B	EL296UH090X-V48C	EL296UH070X-V36B	EL296UH090X-V48C	EL296UH110X-V60C	EL296UH090X-V48C	EL296UH110X-V60C	EL296UH090X-V60C	EL296UH110X-V60C	EL296UH135X-V60D
Height (in)	33	33	33	33	33	33	33	33	33	33	33	33	33	33	33	33	33	33
Width (in) - C	17.5	17.5	17.5	21.0	21.0	21.0	21.0	24.5	17.5	21.0	17.5	21.0	21.0	21.0	21.0	21.0	21.0	24.5
Depth (in)	29.25	29.25	29.25	29.25	29.25	29.25	29.25	29.25	29.25	29.25	29.25	29.25	29.25	29.25	29.25	29.25	29.25	29.25
Coil Model #	CX34-38B-6F	CX34-43B-6F	CX34-43B-6F	CX34-49C-6F	CX34-49C-6F	CX34-49C-6F	CX34-62C-6F	CX34-62D-6F	CX34-38B-6F	CX34-43C-6F	CX34-43B-6F	CX34-43C-6F	CX34-43C-6F	CX34-49C-6F	CX34-49C-6F	CX34-62C-6F	CX34-62C-6F	CX34-62D-6F
Height (in) - D	24.5	27.5	27.5	29.5	29.5	29.5	31.5	29.5	24.5	27.5	27.5	27.5	27.5	29.5	29.5	31.5	31.5	29.5
Outlet Width (in) - E	16.0	16.0	16.0	19.5	19.5	19.5	19.5	23.0	16.0	19.5	16.0	19.5	19.5	19.5	19.5	19.5	19.5	23.0
Depth (in) - F	21.0	21.0	21.0	22.0	22.0	22.0	22.0	21.0	21.0	21.0	21.0	21.0	21.0	22.0	22.0	22.0	22.0	21.0

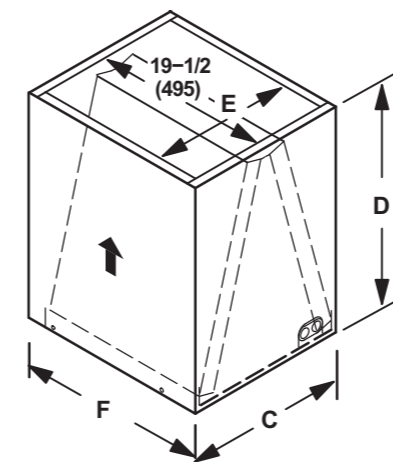
Condensing Unit



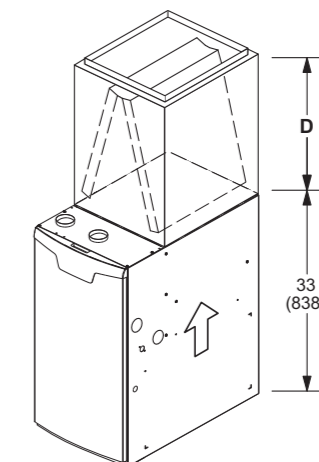
Furnace



Coil



Combined Furnace and Coil



Visit us at www.lennox.com
For the latest technical information, www.lennoxcommercial.com
Contact us at 1-800-4-LENNOX

©2019 Lennox Industries, Inc.
14G39 2/19 PC92062